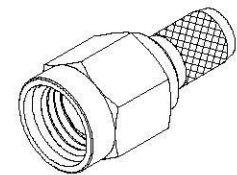
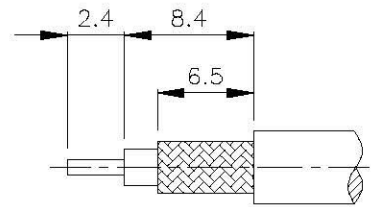
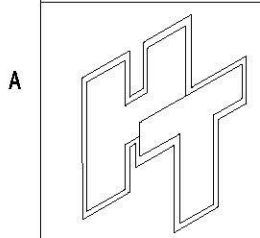
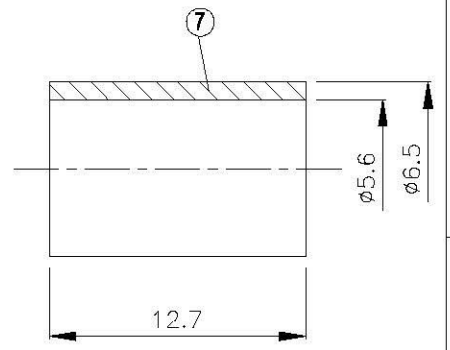
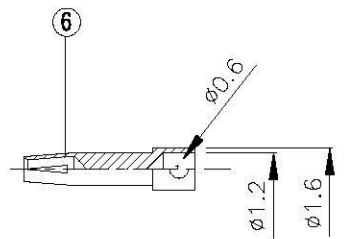
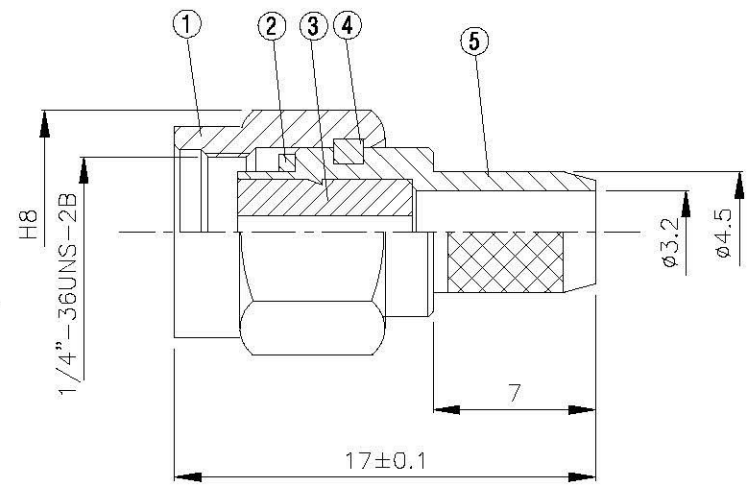


NO	DESCRIPTION	MATERIAL	Q'TY	FINISH	REMARK
1	SHELL	BRASS	1	GOLD	B-SMA0043-G
2	GASKET	SI RUBBER	1	RUBBER	RU-0008
3	INSULATION	TEFLON	1	TEFLON	I-0115T
4	WASHER	PH.BRONZE	1	GOLD	W-0012
5	BODY	BRASS	1	GOLD	B-SMA0046-G
6	PIN	BE CU	1	GOLD	P-SMA0288-G
7	RING	BRASS	GOLD	R-0007-G	



(Recommended Stripping Dimension)



**All Connectors**  
 info@allconnectors.de  
 TEL: 0049 411 4100000  
 ALL-NEU-STRASSE 1 - KEMNATH

**info@allconnectors.de**  
 TEL: 0049 411 4100000  
 GELBERGSTR. 75

**TITLE SMA MALE CRIMP FOR LMR-200 (REVERSE POLARITY)**

**PART NO. SMA-03S1-TGG-RP**

**DRAWING NO. SMA 03S1 TGG-RP**

**DRAWN MARY** **DATE 94.12.10**

**CHECKED 沈佳儀** **DATE 96.04.20**

**Q.A. 蘇姿潔**

**APPROVAL 徐燦霖**

**REVISION** **DATE**

**DIMENSIONS ARE IN MILLIMETERS**

**UNLESS OTHERWISE SPECIFIED TOLERANCE**

0.5-5=±0.2	120-315=±1
5-30=±0.4	315-1000=±1.6
30-120=±0.6	1000-2000=±2.4

**SCALE 4:1** **SIZE A**

REVISION	
DESCRIPTION	ENGINEER