

RECOMMENDED PCB LAYOUT  
(TOLERANCE:  $\pm 0.05$ )

NOTE:

1. MATERIAL:
  - 1.1. HOUSING: THERMOPLASTIC, UL94V-0, COLOR: NATURE.
  - 1.2. CENTER CONTACT : COPPER ALLOY.
  - 1.3. GROUND CONTACT: COPPER ALLOY.
2. FINISH:
  - 2.1. CENTER CONTACT 3u" ON CONTACT AREA, GOLD FLASH OTHER AREA; 50u' MIN. NICKEL UNDERPLATING.
  - 2.2. GROUND CONTACT 1u" MIN GOLD PLATING; OR 100u" MIN SILVER PLATING; OR 100u" MIN TIN PLATING; 50u' MIN. NICKEL UNDERPLATING OVERALL.
3. PART NUMBER DESCRIPTION:
4. APPLIED TO IR SOLDERING PROCESS
5. COPLANARITY: 0.10mm MAX.

| PART NO.    | DESCRIPTION                  |
|-------------|------------------------------|
| CRF-101-006 | GROUND CONTACT GOLD PLATING; |

|  |  |   |  |
|--|--|---|--|
| UNLESS OTHERWISE SPECIFIED TOLERANCE<br>X $\pm 0.30/012$ X' $\pm T$<br>XX $\pm 0.20/008$ X' $\pm$<br>XXX $\pm 0.10/004$ XX $\pm$ |  |   |  |
| SCALE:   |  | UNIT: mm/inch                           |  |
| DRAWN: JASON 97/05/25  |  | DRAWN NAME: CRF-101-006                 |  |
| CHECKED: David 97/05/26  |  | TITLE: MRF I CONNECTOR RECEPTACLE OD2.0 |  |
| APPROVED Sunny-BH 97/05/27   |  | REV: 0                                  |  |
| SIZE   |  | REV. 0                                  |  |

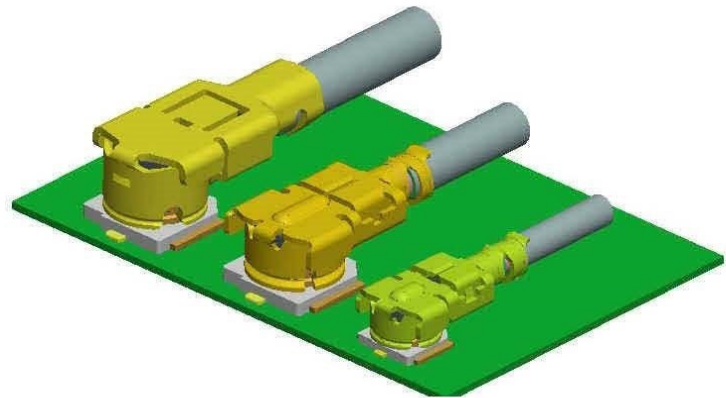
## MRF SERIES PRODUCTS

### 【Major Application】

Wireless LAN Antenna

- Cellular Phone
- Notebook Computer
- Game Equipment
- Digital Appliance
- Access Point

PATENT PENDING



### 【Key Feature】

- SMT Receptacle and Mating Plug Cable Connector.
- Small form factor and low profile: 1.5mm to 2.5mm MAX. mating height.
- Applicable cable: OD 0.70mm/0.81mm/1.13mm/1.32mm/1.37mm and 1.8mm Coaxial cable.
- High productivity: Easy cable termination.
- Applicable technology: IEEE802.11 a/b/g/n; UWB; WiMAX ;Burst ; Zigbee ; Bluetooth wireless and MIMO.

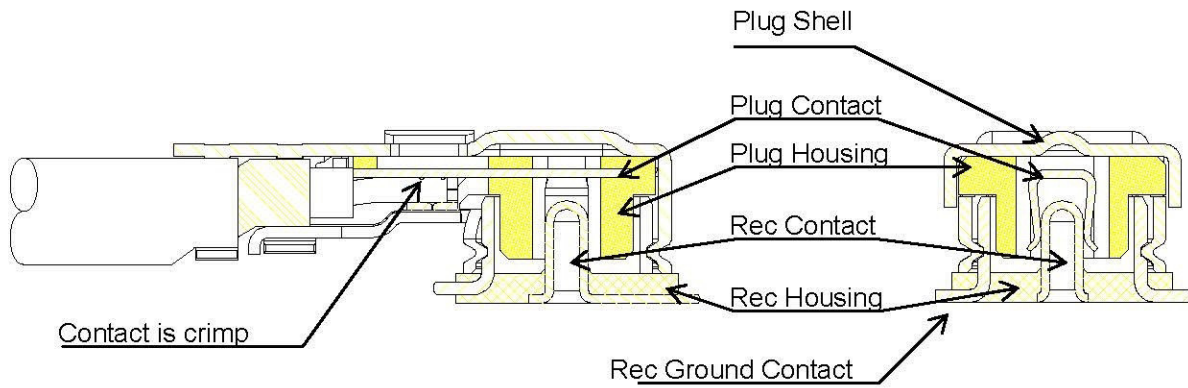
### 【Specification】

- Frequency range: DC to 6GHz
- Characteristic impedance: 50Ω (Nominal)
- Temperature: -40°C to 85°C
- Rated voltage: AC 60V
- Contact resistance: 20mΩ Max. (Signal) and 10mΩ Max. (Ground)
- Withstand Voltage: AC 200V
- Insulation Resistance: 500MΩ Min. / DC 100V

### 【Compatibility】

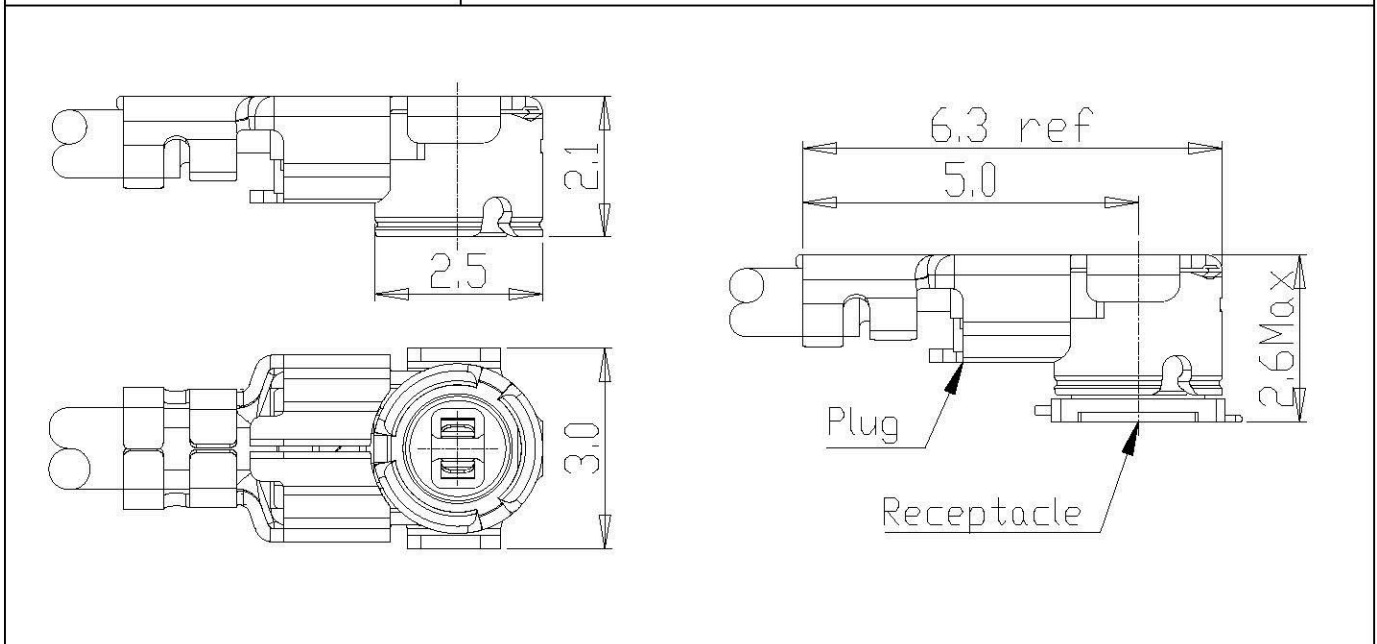
CST's MRF I~III series products compatible with I-PEX's MHF plug & MHF II plug & MHF III plug & 20279 products and HRS's U.FL & W.FL series products in electrical, mechanical and environmental performance.

## 【Product Section】



### MRF I PLUG Recommended Cable Strip Length

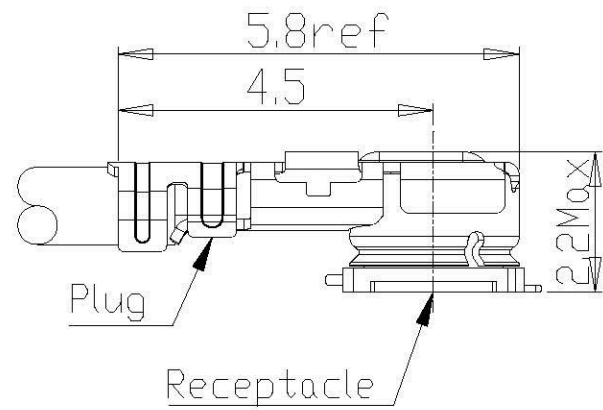
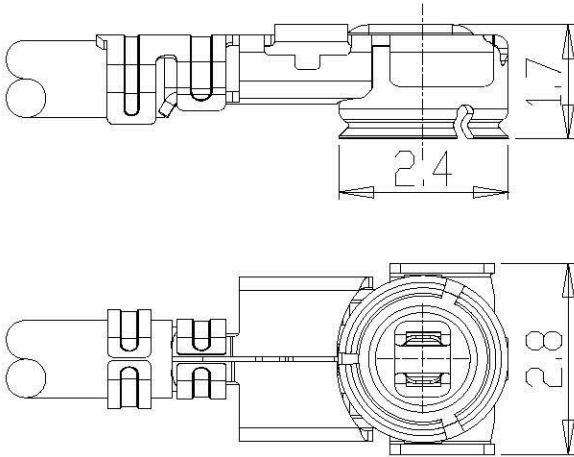
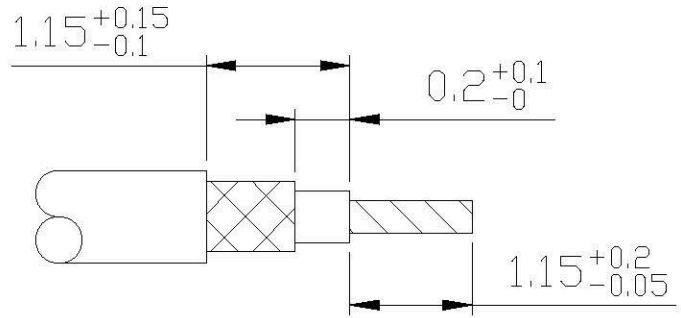
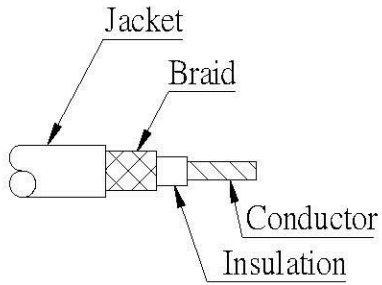
| Cable Construction | For OD 1.13mm/1.32mm/1.37mm/1.80mm Coaxial cable |
|--------------------|--|
|                    |  |



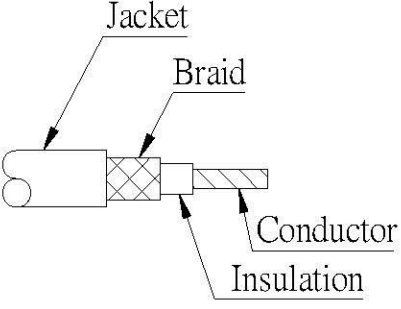
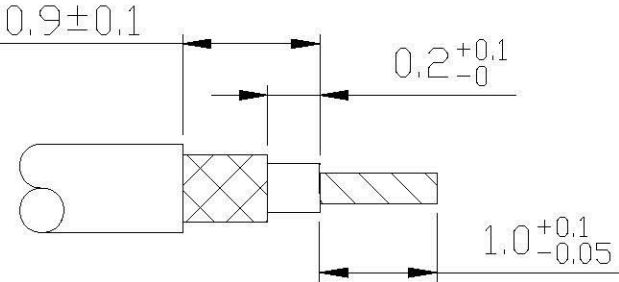
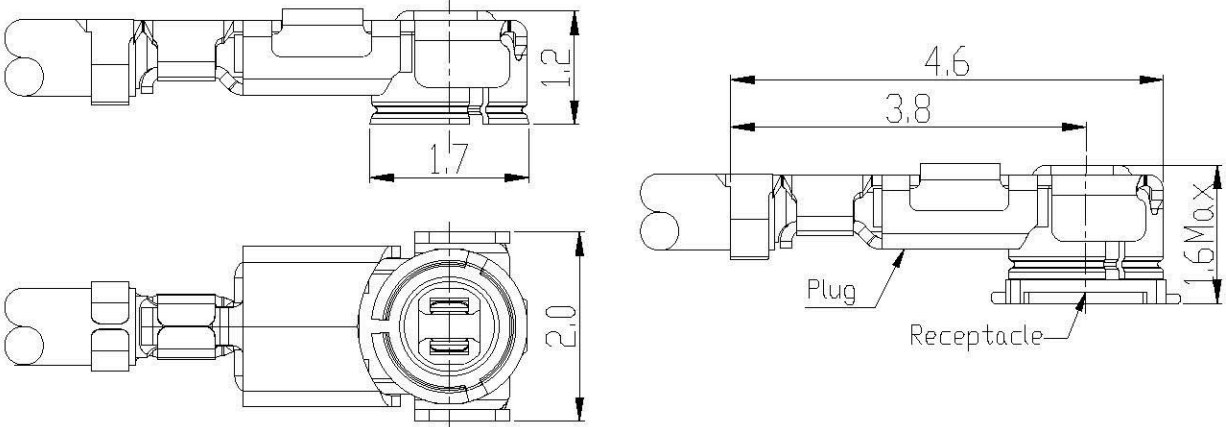
## Recommended Cable Strip Length

Cable Construction

For OD 0.70mm/0.81mm/1.13mm Coaxial cable



## Recommended Cable Strip Length

| Cable Construction  | For OD 0.70mm/0.81mm Coaxial cable   |
|---|--|
|    |  |
|  |  |

| Parts          | Material               | Finish/Color              |
|----------------|------------------------|---------------------------|
| Housing        | Engineer Plastic 94-HB | Black                     |
| Center Contact | Copper Alloy           | Gold Plated               |
| Shell          | Copper Alloy           | Gold /Silver / Tin Plated |