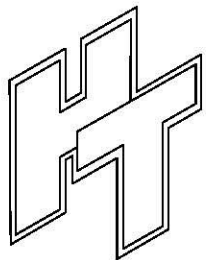
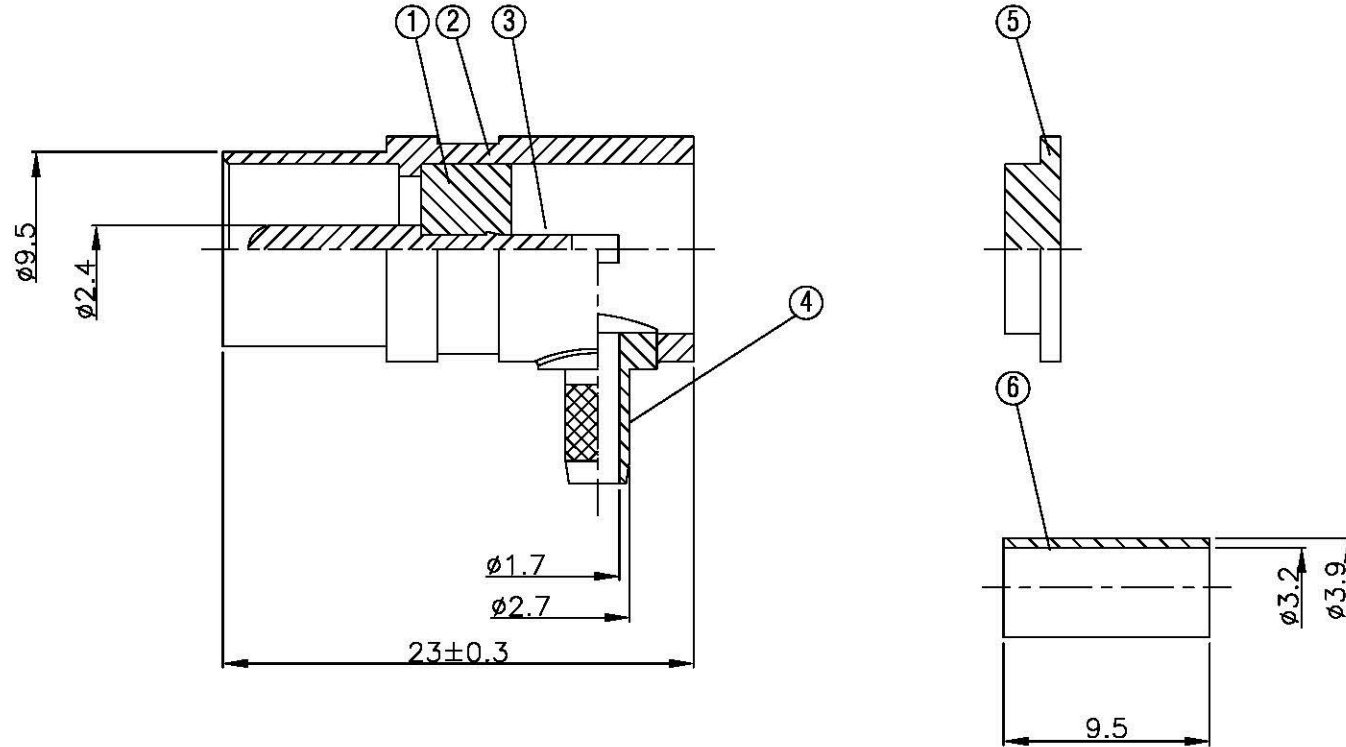
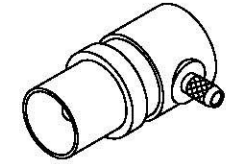


NO	DESCRIPTION	MATERIAL	Q'TY	FINISH	REMARK
1	INSULATION	TEFLON	1	TEFLON	I-0303T
2	BODY 1	BRASS	1	NICKEL	B-PAL0643-N
3	PIN	BRASS	1	GOLD	P-PAL0428-G
4	BODY 2	BRASS	1	NICKEL	B-PAL0645-N
5	WASHER	BRASS	1	NICKEL	W-0055-N
6	RING	BRASS	1	NICKEL	R-0002-N



Allconnectors

www.allconnectors.de
Tel.: 0049 711 7029503
70791 Hilderstadt - Germany

Info@allconnectors.de
Fax: 0049 711 7009504
Kettenerstr. 2b

TITLE PAL MALE ANGLE CRIMP FOR
RG-179/U

PART NO. PAL-11N-TGN

DRAWING NO. PAL 11N TGN

DRAWN MARY DATE 96.07.09

CHECKED 蘇志欣 DATE

Q.A. 蘇姿潔 DATE

APPROVAL 徐燦霖 DATE

REVISION DATE

DIMENSIONS ARE IN MILLIMETERS

UNLESS OTHERWISE SPECIFIED
TOLERANCE

0.5-5=±0.2	120-315=±1
5-30=±0.4	315-1000=±1.6
30-120=±0.6	1000-2000=±2.4

SCALE	4:1	SIZE	A
-------	-----	------	---

REVISION

DESCRIPTION	ENGINEER