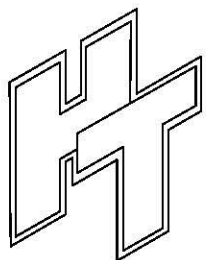
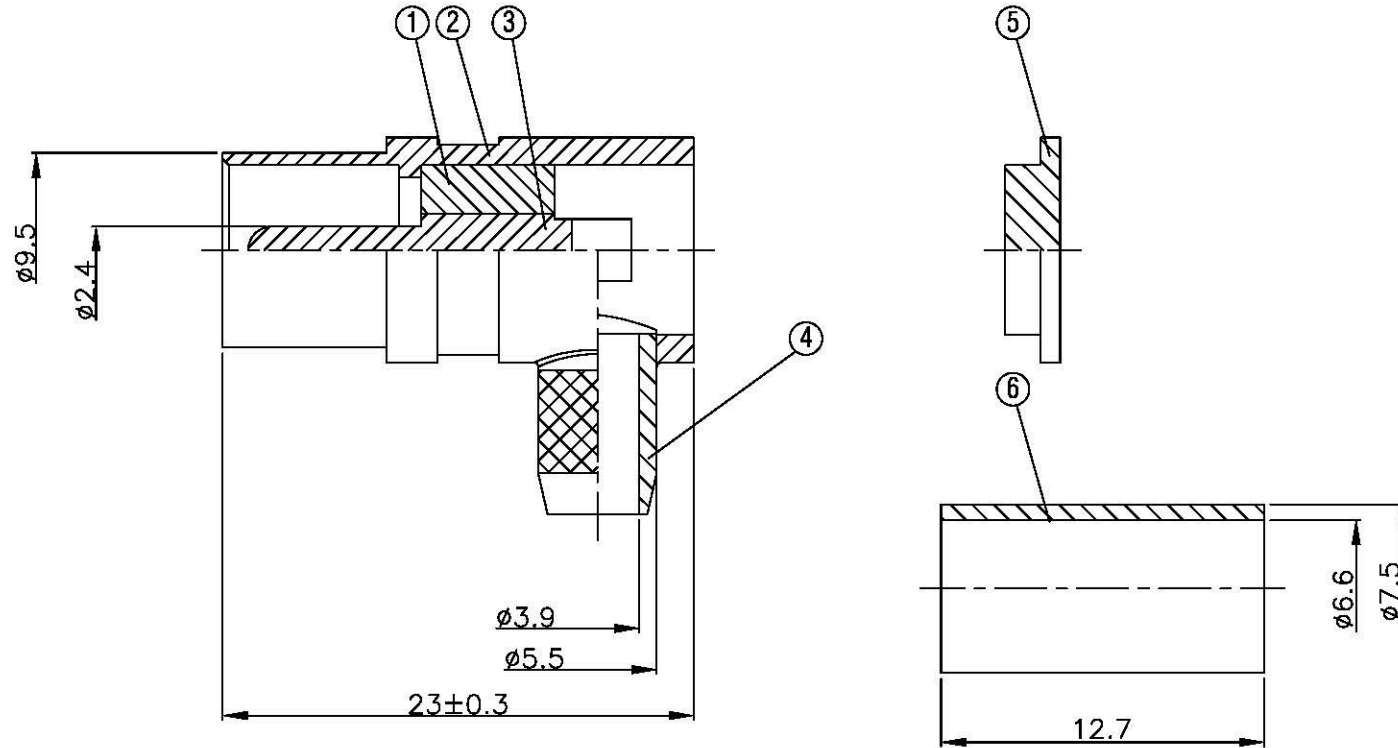
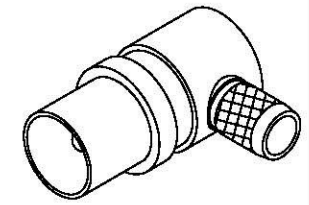


NO	DESCRIPTION	MATERIAL	Q'TY	FINISH	REMARK
1	INSULATION	DELRIN	1	DELRIN	I-0302D
2	BODY 1	BRASS	1	NICKEL	B-PAL0643-N
3	PIN	BRASS	1	GOLD	P-PAL0427-G
4	BODY 2	BRASS	1	NICKEL	B-PAL0644-N
5	WASHER	BRASS	1	NICKEL	W-0055-G
6	RING	BRASS	1	NICKEL	R-0018-N



Allconnectors

www.allconnectors.de
Tel: 0390 711 4100-10
20254 Fliedersdorf, Germany

Info@allconnectors.de
Fax: 0390 711 4100-10
Kontakt@allconnectors.de

TITLE PAL MALE ANGLE CRIMP FOR
RG-59/U

PART NO. PAL-11G-DGN

DRAWING NO. PAL 11G DGN

DRAWN

MARY

DATE

96.07.09

CHECKED

蘇志欣

DATE

Q.A.

蘇姿潔

DATE

APPROVAL

徐燦霖

DATE

REVISION

DATE

DIMENSIONS ARE IN MILLIMETERS

UNLESS OTHERWISE SPECIFIED
TOLERANCE

0.5-5=±0.2	120-315=±1
5-30=±0.4	315-1000=±1.6
30-120=±0.6	1000-2000=±2.4

SCALE

4:1

SIZE

A

REVISION

DESCRIPTION

ENGINEER