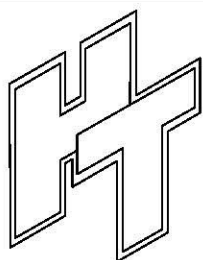
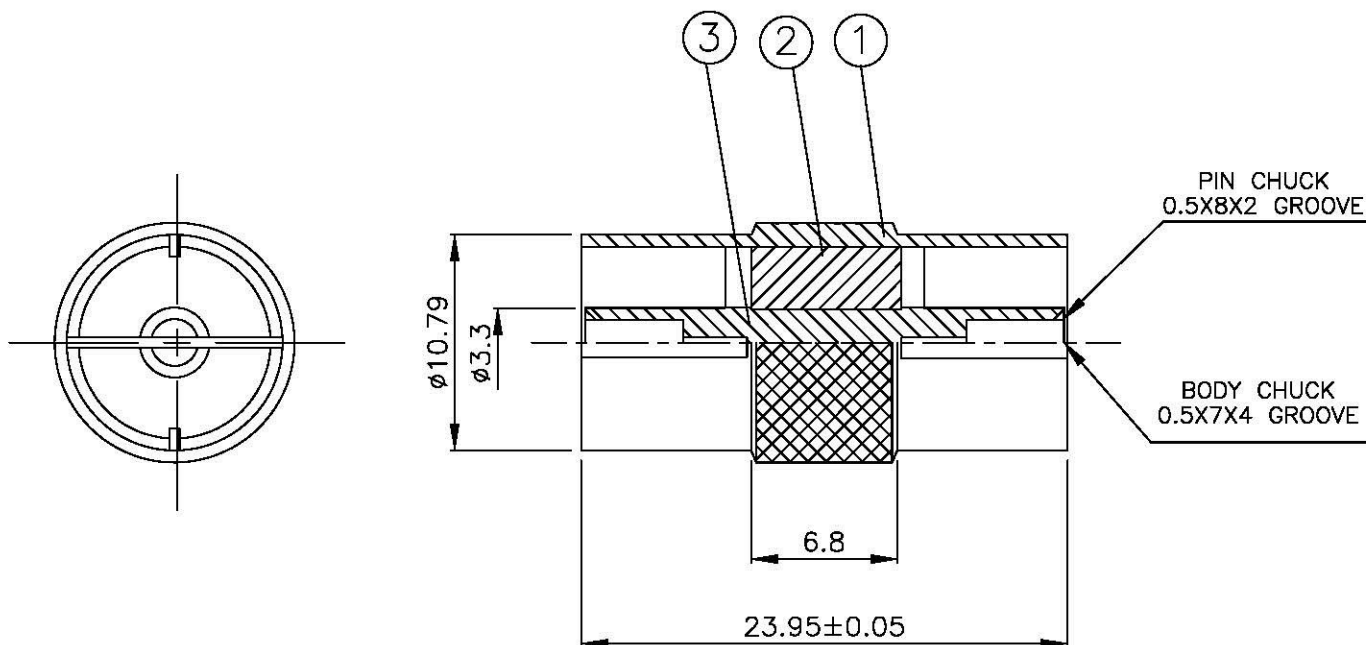
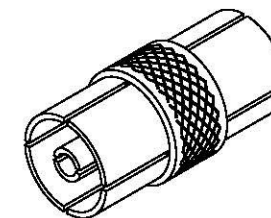


NO	DESCRIPTION	MATERIAL	Q'TY	FINISH
1	BODY	BRASS	1	NICKEL
2	INSULATION	DELRIN	1	DELRIN
3	PIN	BRASS	1	NICKEL



All Connectors

www.allconnectors.de
Tel.: 0049 711 7000503
70796 Filbersfeld - Germany

info@allconnectors.de
Fax: 0049 711 7000504
Kellernstr. 25

DRAWN MARY

DATE 96.01.08

DIMENSIONS ARE IN MILLIMETERS

REVISION

CHECKED 黄巧君

DATE

UNLESS OTHERANCES SPECIFIED
TOLERANCE

DESCRIPTION

ENGINEER

TITLE
PAL JACK - JACK ADAPTOR

Q.A. 蘇姿潔

DATE

0.5-5=±0.2 120-315=±1

PART NO.
PAL-04-TGN

APPROVAL 徐燦霖

DATE

5-30=±0.4 315-1000=±1.6

DRAWING NO. PAL 04 DNN

REVISION

DATE

30-120=±0.6 1000-2000=±2.4

SCALE 4:1 SIZE A