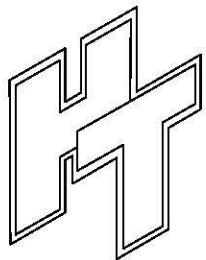
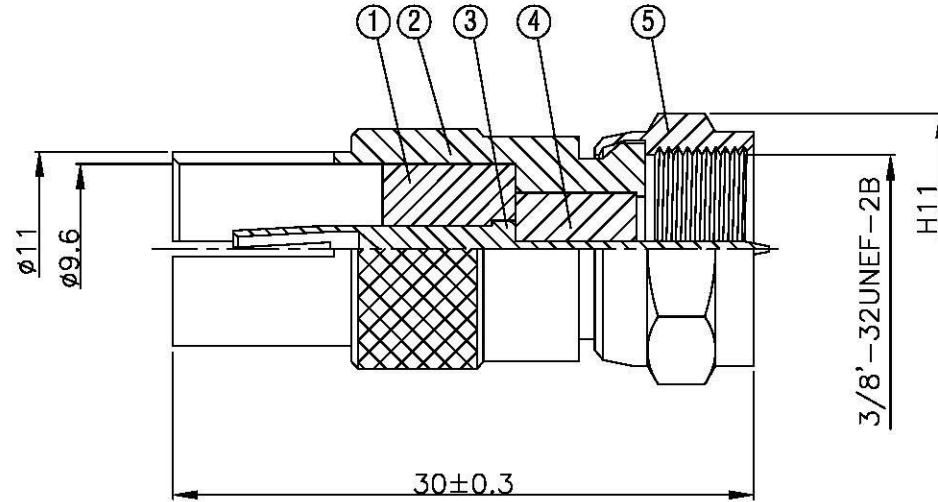
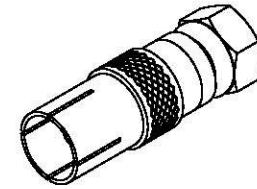


NO	DESCRIPTION	MATERIAL	Q'TY	FINISH
1	INSULATION	DELTRIN	1	DELTRIN
2	BODY 1	BRASS	1	NICKEL
3	PIN	BRASS	1	GOLD
4	INSULATION	DELTRIN	1	DELTRIN
5	BODY 2	BRASS	1	NICKEL



All Connectors

www.allconnectors.de
Tel: 0049 711 7009503
79794 Filderstadt - Germany

info@allconnectors.de
Fax: 0049 711 7005504
Kulmburger Str. 25

TITLE
PAL FEMALE - F MALE ADAPTOR

PART NO.
PAL-02-DGN

DRAWING NO.
PAL 02 DGN

DRAWN MARY DATE 96.07.09

CHECKED 蘇志欣 DATE

Q.A. 蘇姿潔 DATE

APPROVAL 徐燦霖 DATE

REVISION DATE

DATE 96.07.09

DATE

DATE

DATE

DATE

DIMENSIONS ARE IN MILLIMETERS

UNLESS OTHERWISE SPECIFIED TOLERANCE

0.5-5=±0.2 120-315=±1

5-30=±0.4 315-1000=±1.6

30-120=±0.6 1000-2000=±2.4

SCALE 4:1 SIZE A

REVISION

DESCRIPTION ENGINEER