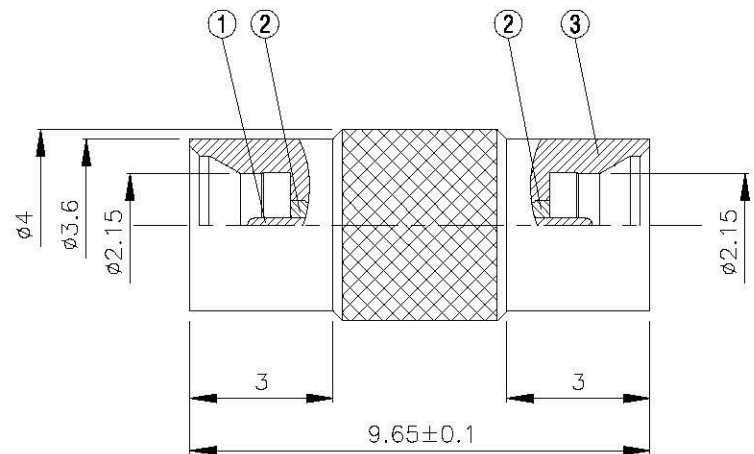
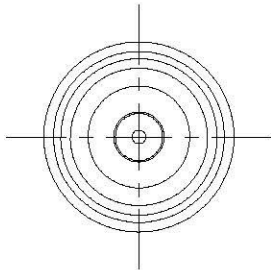
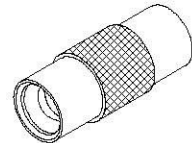


NO	DESCRIPTION	MATERIAL	Q'TY	FINISH	REMARK
1	PIN	BE CU	1	GOLD	P-NSMP1017-G
2	INSULATION	TEFLON	2	TEFLON	I-0680T
3	BODY 1	SUS303	1	PASSIVATED	B-NSMP1486-SUS




Allconnectors
 www.allconnectors.de info@allconnectors.de
 Tel: +49 231 702029 Fax: +49 231 702029
 20255 Füllingenstr. 10 Germany 40764 Meerbusch DE

TITLE NSMP MALE - NSMP MALE STRAIGHT (FULL DETENT - FULL DETENT)

PART NO. NSMP-09-TGSUS

DRAWING NO. NSMP-09-TGSUS

DRAWN	蘇志欣	DATE	98.10.05
CHECKED	蘇姿潔	DATE	
Q.A.	莊千慧	DATE	
APPROVAL	徐燦霖	DATE	
REVISION		DATE	

DIMENSIONS ARE IN MILLIMETERS			
UNLESS OTHERWISE SPECIFIED TOLERANCE			
0.5-5=±0.2	120-315=±1		
5-30=±0.4	315-1000=±1.6		
30-120±0.6	1000-2000=±2.4		
SCALE	4:1	SIZE	A

REVISION	
DESCRIPTION	ENGINEER