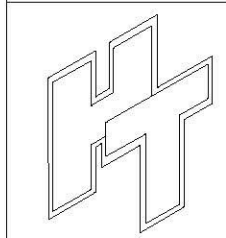
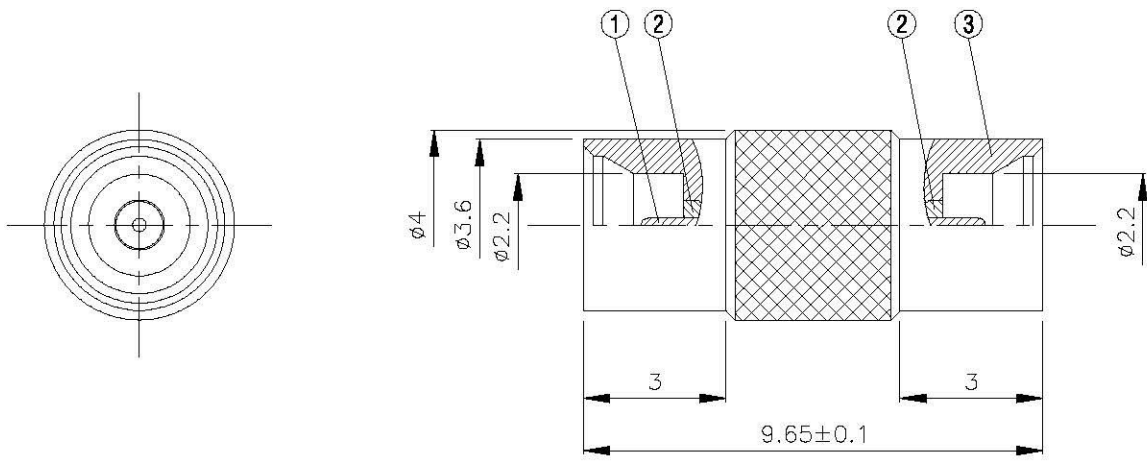
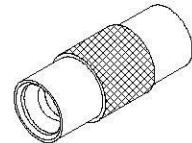


| NO | DESCRIPTION | MATERIAL | Q'TY | FINISH | REMARK |
|----|-------------|----------|------|-----------|----------------|
| 1 | PIN | BE CU | 1 | GOLD | P-NSMP1017-G |
| 2 | INSULATION | TEFLON | 2 | TEFLON | I-0680T |
| 3 | BODY 1 | SUS303 | 1 | PASSVATED | B-NSMP1488-SUS |



All Connectors
 www.allconnectors.com
 Tel: 0049 7141 39300-0
 72791 Tübingen 1911 - Germany

in the USA
 Tel: 0049 7141 39300-0
 72791 Tübingen 1911 - Germany

**TITLE NSMP MALE - NSMP MALE STRAIGHT
 (SMOOTH BORE - SMOOTH BORE)**

PART NO. NSMP-09-TGSUS-2

DRAWING NO. NSMP-09-TGSUS-2

DRAWN 蘇志欣 **DATE** 98.10.05

CHECKED 蘇姿潔 **DATE**

Q.A. 莊千慧 **DATE**

APPROVAL 徐燦霖 **DATE**

REVISION **DATE**

DIMENSIONS ARE IN MILLIMETERS

UNLESS OTHERWISE SPECIFIED TOLERANCE

| | |
|-------------|----------------|
| 0.5-5=±0.2 | 120-315=±1 |
| 5-30=±0.4 | 315-1000=±1.6 |
| 30-120=±0.6 | 1000-2000=±2.4 |

SCALE 4:1 **SIZE** A

| REVISION | |
|-------------|----------|
| DESCRIPTION | ENGINEER |
| | |
| | |
| | |