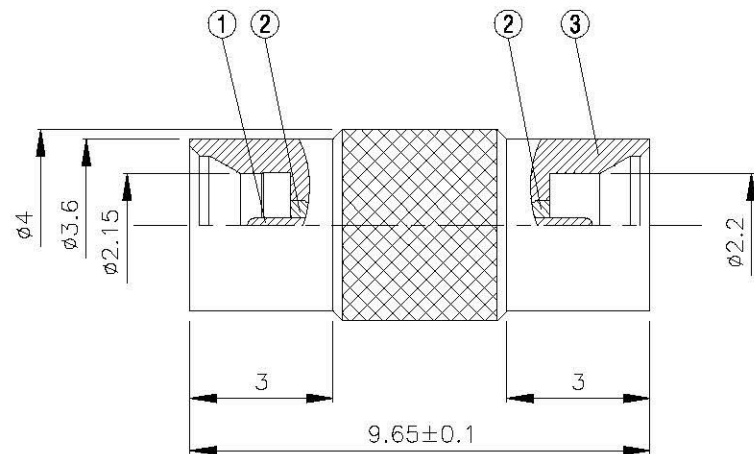
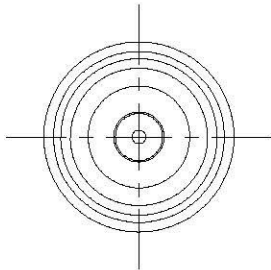
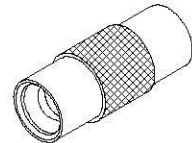


NO	DESCRIPTION	MATERIAL	Q'TY	FINISH	REMARK
1	PIN	BE CU	1	GOLD	P-NSMP1017-G
2	INSULATION	TEFLON	2	TEFLON	I-0680T
3	BODY 1	SUS303	1	PASSIVATED	B-NSMP1487-SUS



	Allconnectors <small>www.allconnectors.com.tw Tel: 0049 711 7009200 E-Mail: allconnect@allconnect.com.tw</small>	DRAWN	DATE 98.10.05	DIMENSIONS ARE IN MILLIMETERS		REVISION	
	TITLE NSMP MALE - NSMP MALE STRAIGHT (FULL DETENT - SMOOTH BORE) PART NO. NSMP-09-TGSUS-1 DRAWING NO. NSMP-09-TGSUS-1	CHECKED	DATE	UNLESS OTHERWISE SPECIFIED TOLERANCE 0.5-5=±0.2 120-315=±1 5-30=±0.4 315-1000=±1.6 30-120±0.6 1000-2000=±2.4		DESCRIPTION	ENGINEER
		Q.A.	DATE				
		APPROVAL	DATE				
	REVISION	DATE	SCALE 4:1	SIZE A			