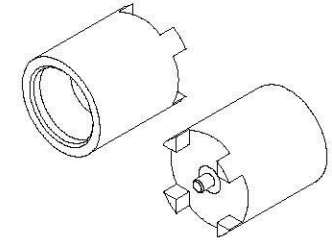
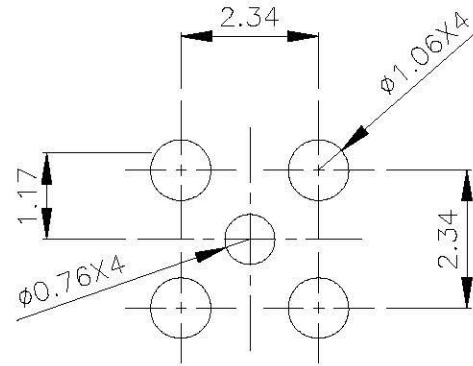
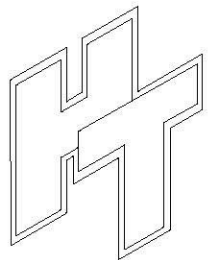
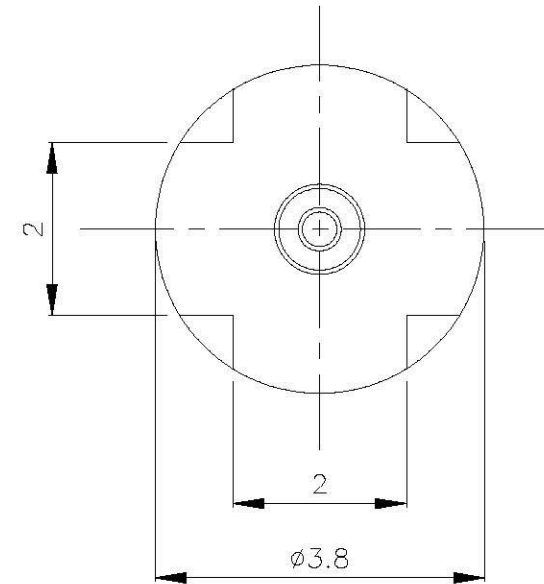
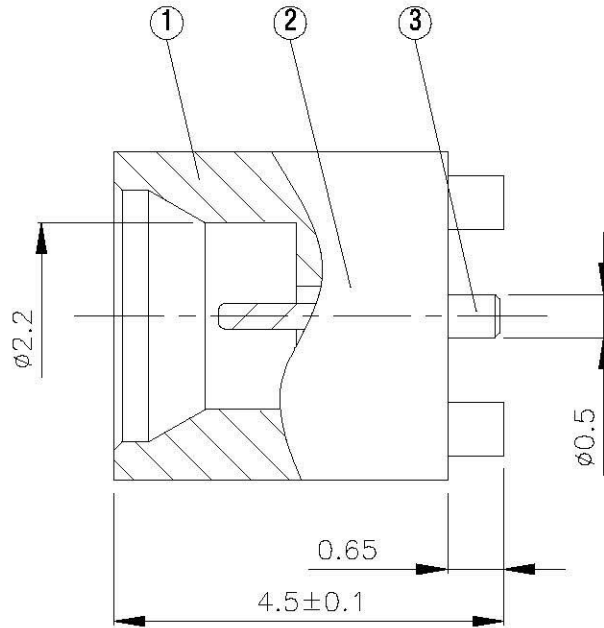


NO	DESCRIPTION	MATERIAL	Q'TY	FINISH	REMARK
1	BODY 1	SUS303	1	PASSIVATED	B-NSMP1484-SUS
2	INSULATION	TEFLON	1	TEFLON	I-0680T
3	PIN	BE CU	1	GOLD	P-NSMP1015-G



PC MONUTING



**Allconnectors**

www.allconnectors.de  
Tel.: 0049 711 7009503  
All-748 Hildesheim Germany

info@allconnectors.de  
Fax: 0049 711 7009504  
Kette-Industrie, ZfL

TITLE **MINI SMP MALE (SMOOTH BORE)  
PCB SURFACE MOUNT**

PART NO. **NSMP-08-TGSUS-1**

DRAWING NO. **NSMP-08-TGSUS-1**

DRAWN **蘇志欣** DATE **98.09.30**

CHECKED **蘇姿潔** DATE

Q.A. **莊千慧** DATE

APPROVAL **徐燦霖** DATE

REVISION DATE

DIMENSIONS ARE IN MILLIMETERS

UNLESS OTHERWISE SPECIFIED  
TOLERANCE

0.5-5=±0.2 120-315=±1

5-30=±0.4 315-1000=±1.6

30-120±0.6 1000-2000=±2.4

SCALE 4:1 SIZE A

REVISION

DESCRIPTION	ENGINEER

D

D

C

C

B

B

A

A

4

3

2

1