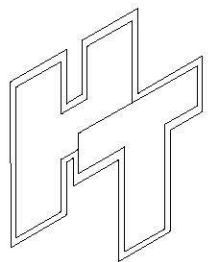
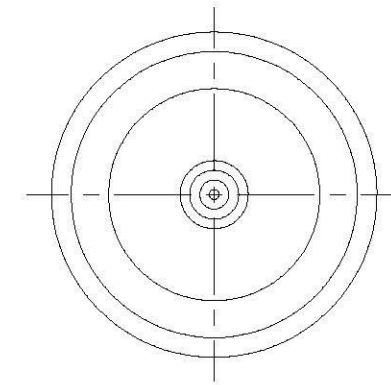
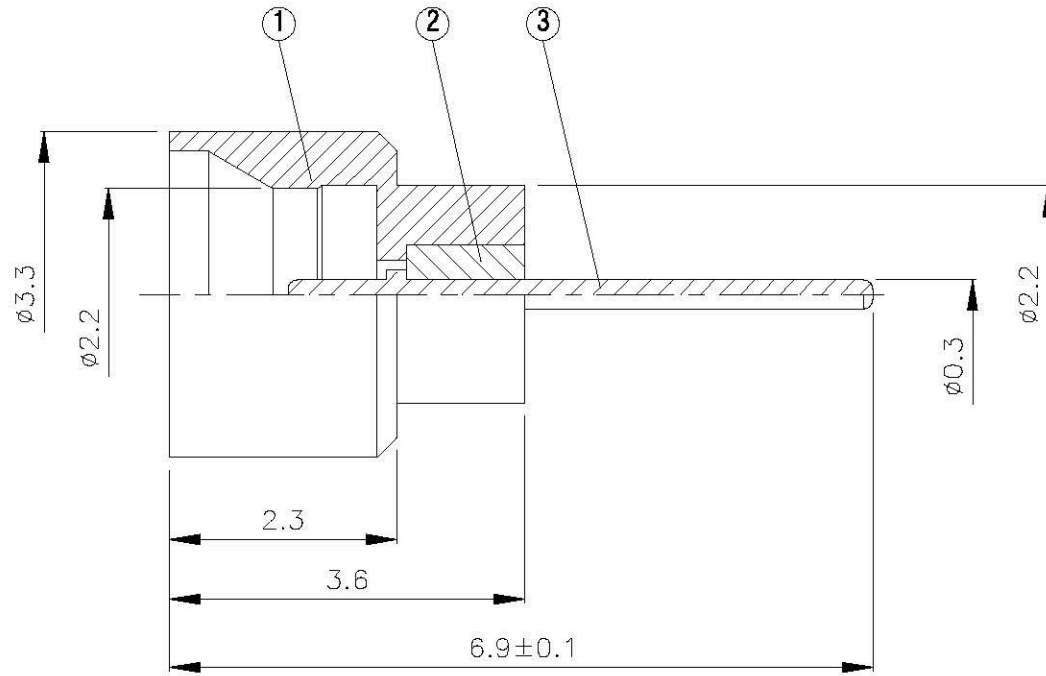
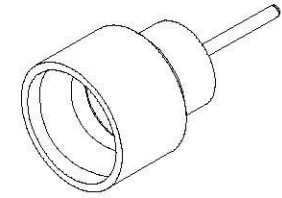


NO	DESCRIPTION	MATERIAL	Q'TY	FINISH	REMARK
1	BODY 1	SUS303	1	PASSIVATED	B-NSMP1479-SUS
2	INSULATION	TEFLON	1	TEFLON	I-0680T
3	PIN	PH.BRONZE	1	GOLD	P-NSMP1014-G



All Connectors

www.allconnectors.com info@allconnectors.com
Tel: 0086 755 20050000 Fax: 86 755 20050001
707741 Guangdong - China 518107 Guangdong - China

TITLE MINI SMP MALE (FULL DETENT)
HERMETIC SOLDER IN SHROUD

PART NO. NSMP-07V5-TGSUS

DRAWING NO. NSMP-07V5-TGSUS

DRAWN 蘇志欣

DATE 98.09.24

CHECKED 蘇姿潔

DATE

Q.A. 莊千慧

DATE

APPROVAL 徐燦霖

DATE

REVISION

DATE

DIMENSIONS ARE IN MILLIMETERS

UNLESS OTHERWISE SPECIFIED TOLERANCE

0.5-5=±0.2	120-315=±1
5-30=±0.4	315-1000=±1.6
30-120±0.6	1000-2000=±2.4

SCALE 4:1 **SIZE** A

REVISION

DESCRIPTION	ENGINEER

D

D

C

C

B

B

A

A