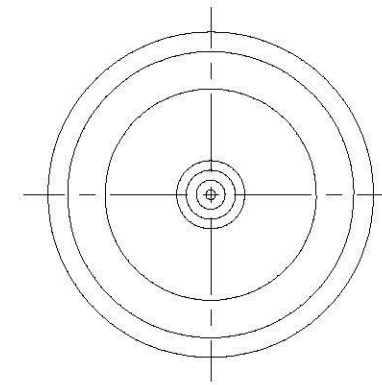
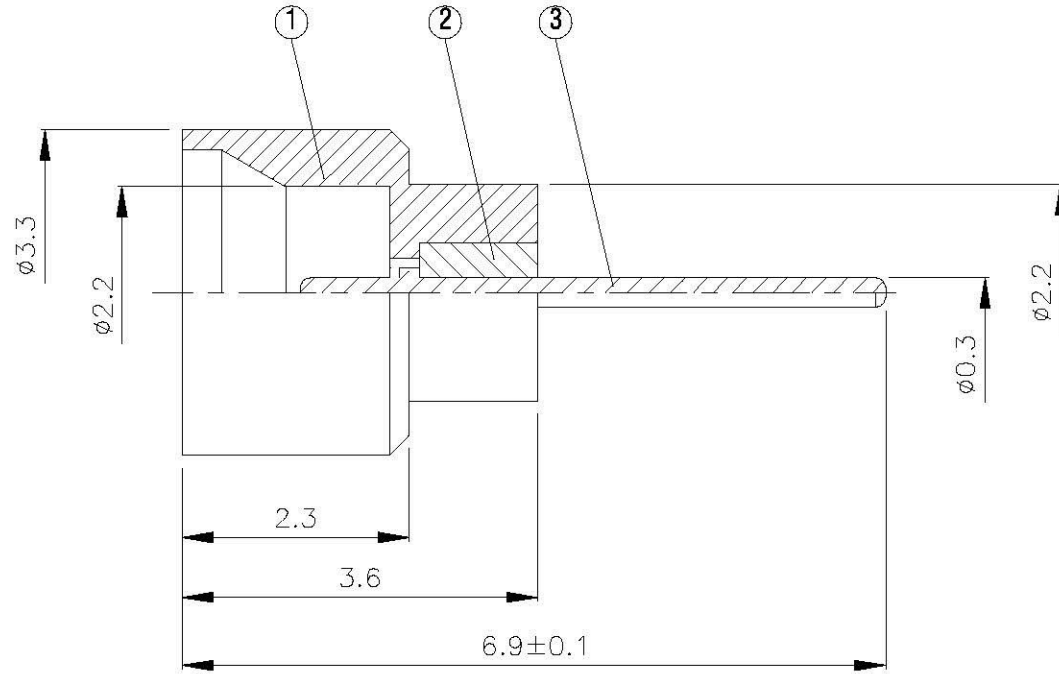
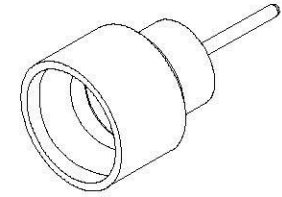


NO	DESCRIPTION	MATERIAL	Q'TY	FINISH	REMARK
1	BODY 1	SUS303	1	PASSIVATED	B-NSMP1480-SUS
2	INSULATION	TEFLON	1	TEFLON	I-0680T
3	PIN	PH.BRONZE	1	GOLD	P-NSMP1014-G



			DRAWN  DATE 98.09.24	DIMENSIONS ARE IN MILLIMETERS		REVISION	
	<small>www.allconnectors.de Tel.: 0049 711 7009503 Ulrich-Hildebrandt, Germany</small>		CHECKED  DATE	UNLESS OTHERWISE SPECIFIED TOLERANCE		DESCRIPTION	ENGINEER
	TITLE MINI SMP MALE (SMOOTH BORE) HERMETIC SOLDER IN SHROUD		Q.A.  DATE	$0.5-5 = \pm 0.2$ $120-315 = \pm 1$			
	PART NO. NSMP-07V5-TGSUS-1		APPROVAL  DATE	$5-30 = \pm 0.4$ $315-1000 = \pm 1.6$			
	DRAWING NO. NSMP-07V5-TGSUS-1		REVISION DATE	$30-120 \pm 0.6$ $1000-2000 = \pm 2.4$			
				SCALE 4:1 SIZE A			