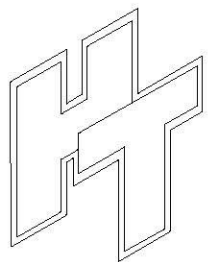
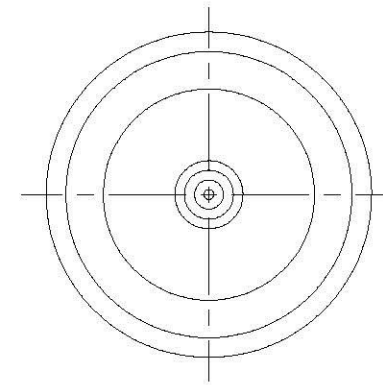
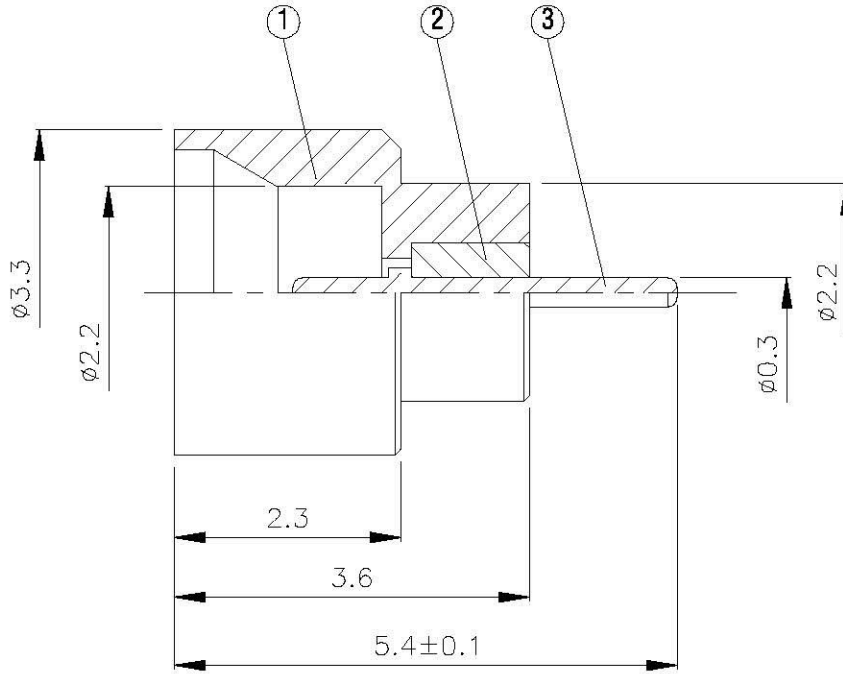
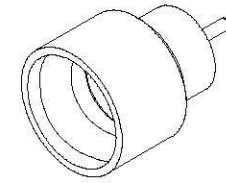


NO	DESCRIPTION	MATERIAL	Q'TY	FINISH	REMARK
1	BODY 1	SUS303	1	PASSIVATED	B-NSMP1480-SUS
2	INSULATION	TEFLON	1	TEFLON	I-0680T
3	PIN	PH.BRONZE	1	GOLD	P-NSMP1013-G



All Connectors

www.allconnectors.de
Tel.: 0049 211 2009503
50754 Düsseldorf - Germany

info@allconnectors.de
Fax: 0049 211 2009504
Kethenerstr. 25

TITEL MINI SMP MALE (SMOOTH BORE)
HERMETIC SOLDER IN SHROUD

PART NO. NSMP-07-TGSUS-1

DRAWING NO. NSMP-07-TGSUS-1

DRAWN 蘇志欣 **DATE** 98.09.24

CHECKED 蘇姿潔 **DATE**

Q.A. 莊千慧 **DATE**

APPROVAL 徐燦霖 **DATE**

REVISION **DATE**

DIMENSIONS ARE IN MILLIMETERS

UNLESS OTHERWISE SPECIFIED TOLERANCE			
0.5-5=±0.2	120-315=±1		
5-30=±0.4	315-1000=±1.6		
30-120±0.6	1000-2000=±2.4		

SCALE 4:1 **SIZE** A

REVISION

DESCRIPTION	ENGINEER