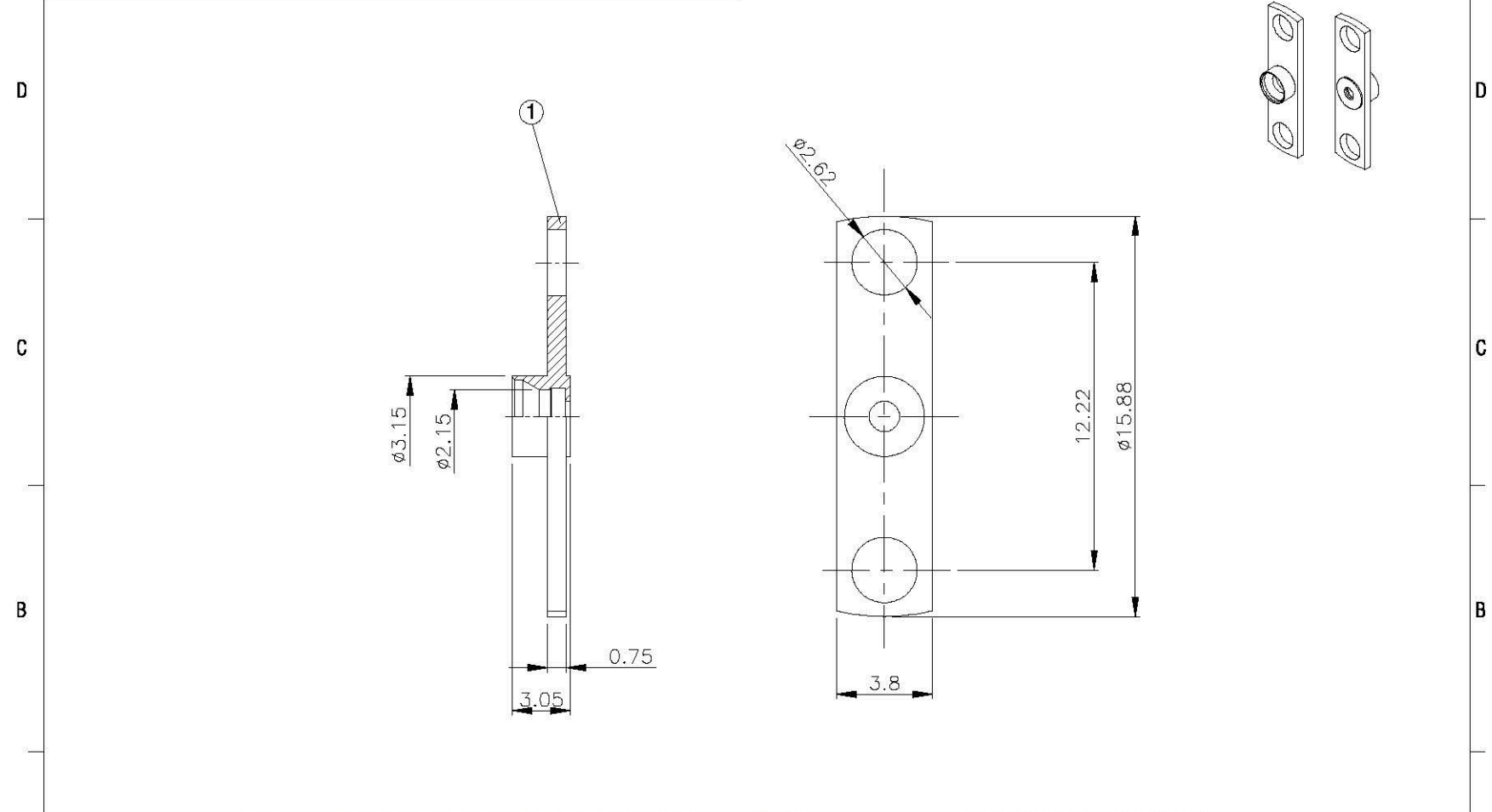
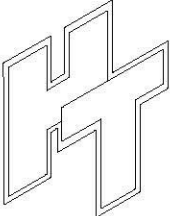



NO	DESCRIPTION	MATERIAL	Q'TY	FINISH	REMARK
1	BODY	SUS303	1	PASSIVATED	B-NSMP1477-SUS



		DRAWN	蘇志欣	DATE	98.09.18	DIMENSIONS ARE IN MILLIMETERS			REVISION	
	<small>www.allconnectors.com TEL: 8492 221 7008/9 70734 Fildes Road - Geometry</small>	CHECKED	蘇姿潔	DATE		UNLESS OTHERWISE SPECIFIED TOLERANCE			DESCRIPTION	ENGINEER
	<small>info@allconnectors.com FAX: 8492 221 7002/3/4 Kallumerua, 25</small>	Q.A.	莊千慧	DATE		0.5-5=±0.2	120-315=±1			
	TITLE SMP MALE FLANGE MOUNT SHROUD (FULL DETENT)	APPROVAL	徐燦霖	DATE		5-30=±0.4	315-1000=±1.6			
	PART NO. NSMP-03V5-SUS	REVISION		DATE		30-120±0.6	1000-2000=±2.4			
DRAWING NO. NSMP-03V5-SUS					SCALE	4:1	SIZE	A		