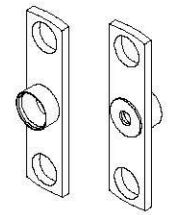
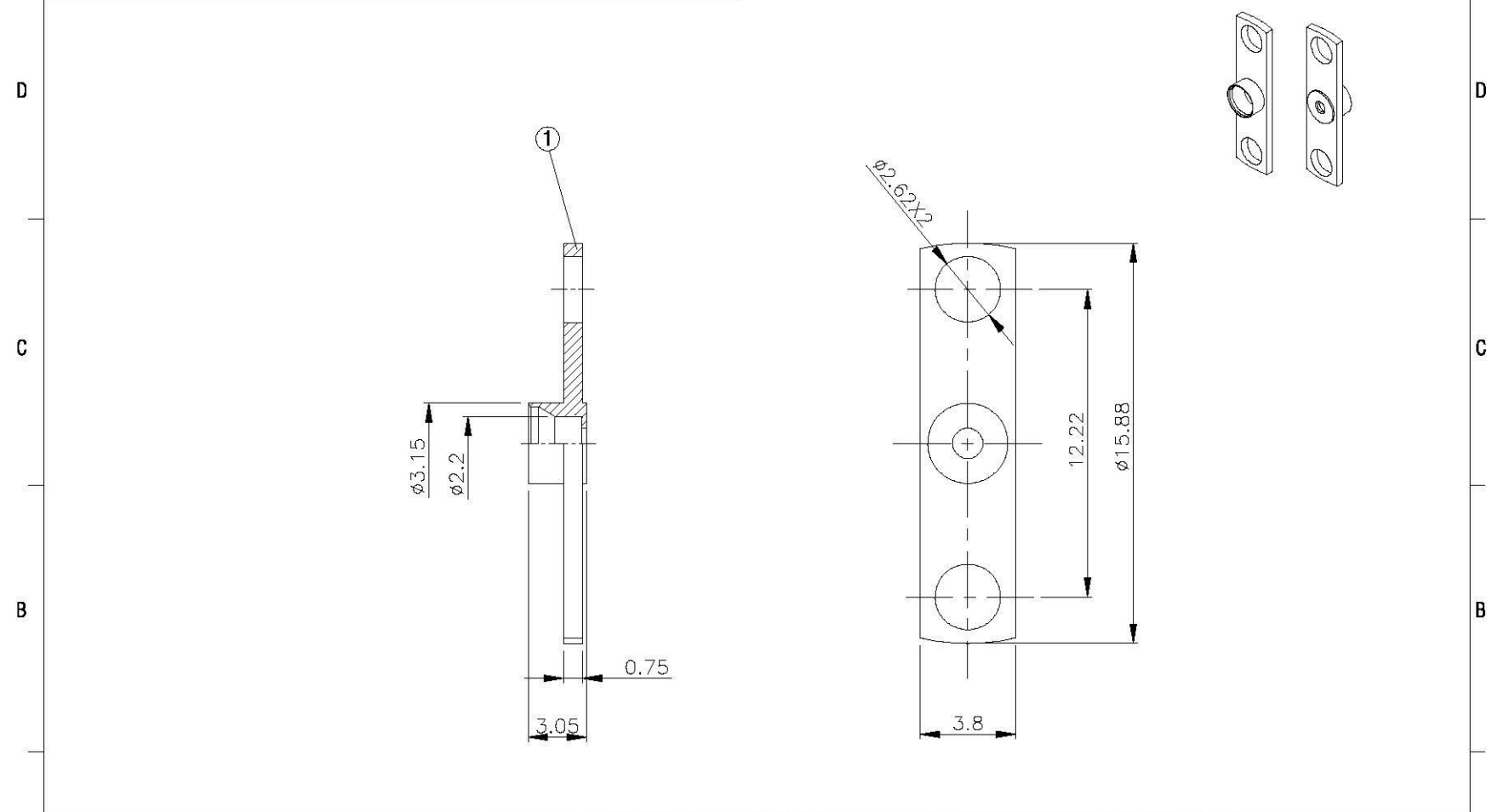
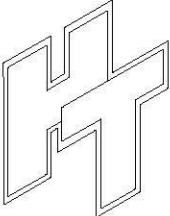



NO	DESCRIPTION	MATERIAL	Q'TY	FINISH	REMARK
1	BODY	SUS303	1	PASSIVATED	B-NSMP1478-SUS



		DRAWN	蘇志欣	DATE	98.09.18	DIMENSIONS ARE IN MILLIMETERS		REVISION				
	www.allconnectors.de info@allconnectors.de Tel: 0049 721 406500 70734 Ellersriedt - Germany	CHECKED	蘇姿潔	DATE				UNLESS OTHERWISE SPECIFIED TOLERANCE		DESCRIPTION	ENGINEER	
	TITLE		Q.A.	莊千慧	DATE		0.5-5=±0.2			120-315=±1		
	PART NO.		APPROVAL	徐燦霖	DATE		5-30=±0.4			315-1000=±1.6		
	DRAWING NO.		REVISION		DATE		30-120±0.6	1000-2000=±2.4				
						SCALE	4:1	SIZE	A			