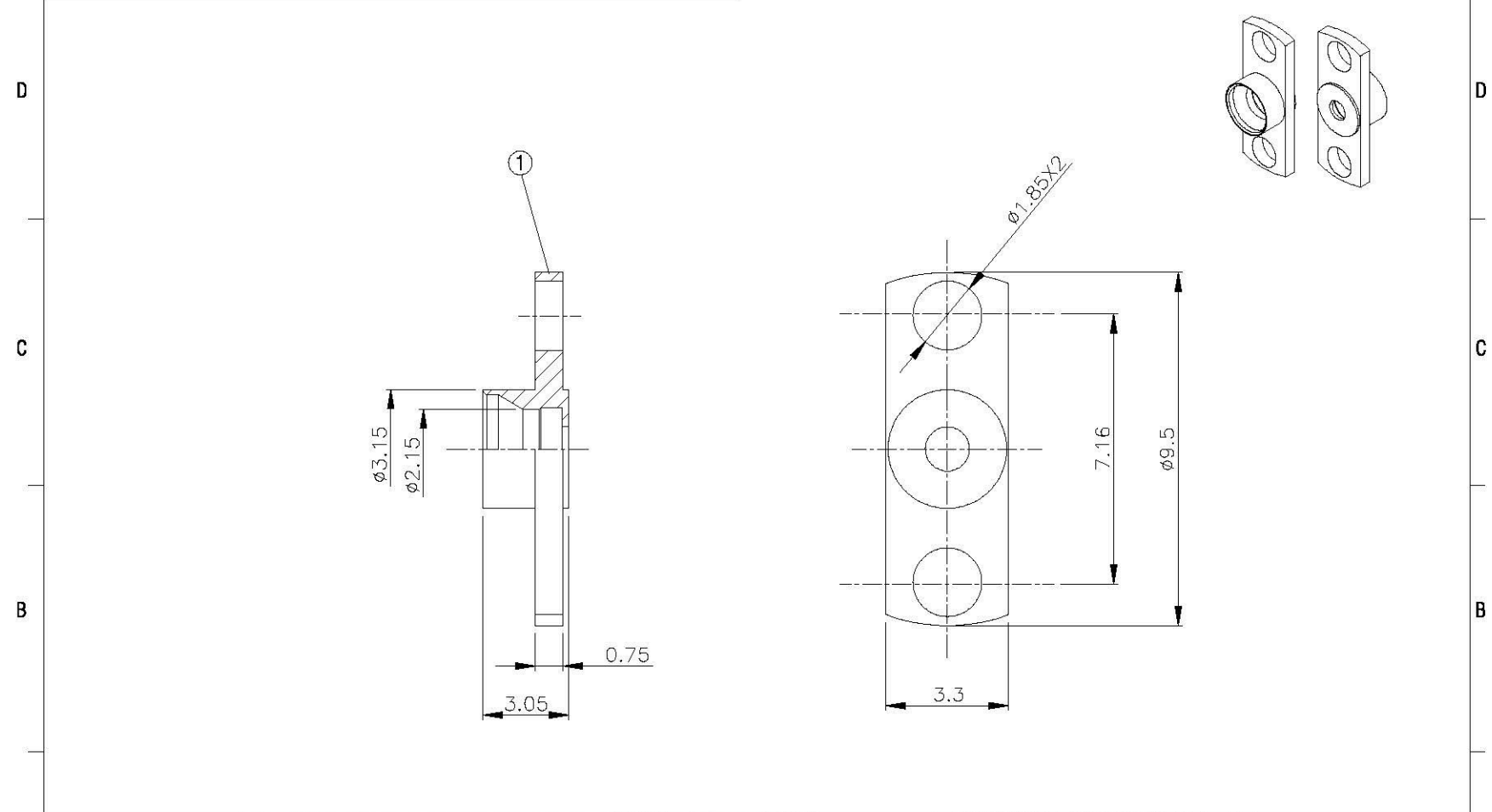
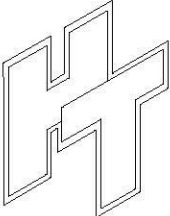



NO	DESCRIPTION	MATERIAL	Q'TY	FINISH	REMARK
1	BODY	SUS303	1	PASSIVATED	B-NSMP1475-SUS



		DRAWN	蘇志欣	DATE	98.09.18	DIMENSIONS ARE IN MILLIMETERS			REVISION	
	<small>www.allconnectors.co Tel: 0049 711 7005803 70764 Hildersbach Germany</small>	CHECKED	蘇姿潔	DATE		UNLESS OTHERWISE SPECIFIED TOLERANCE			DESCRIPTION	ENGINEER
	<small>info@allconnectors.co Fax: 0049 711 7005804 Kottbusstr. 25</small>	Q.A.	莊千慧	DATE		0.5-5=±0.2	120-315=±1			
	<b>TITLE SMP MALE FLANGE MOUNT SHROUD (FULL DETENT)</b>	APPROVAL	徐燦霖	DATE		5-30=±0.4	315-1000=±1.6			
	<b>PART NO. NSMP-03-SUS</b>	REVISION		DATE		30-120±0.6	1000-2000=±2.4			
<b>DRAWING NO. NSMP-03-SUS</b>					SCALE	4:1	SIZE	A		