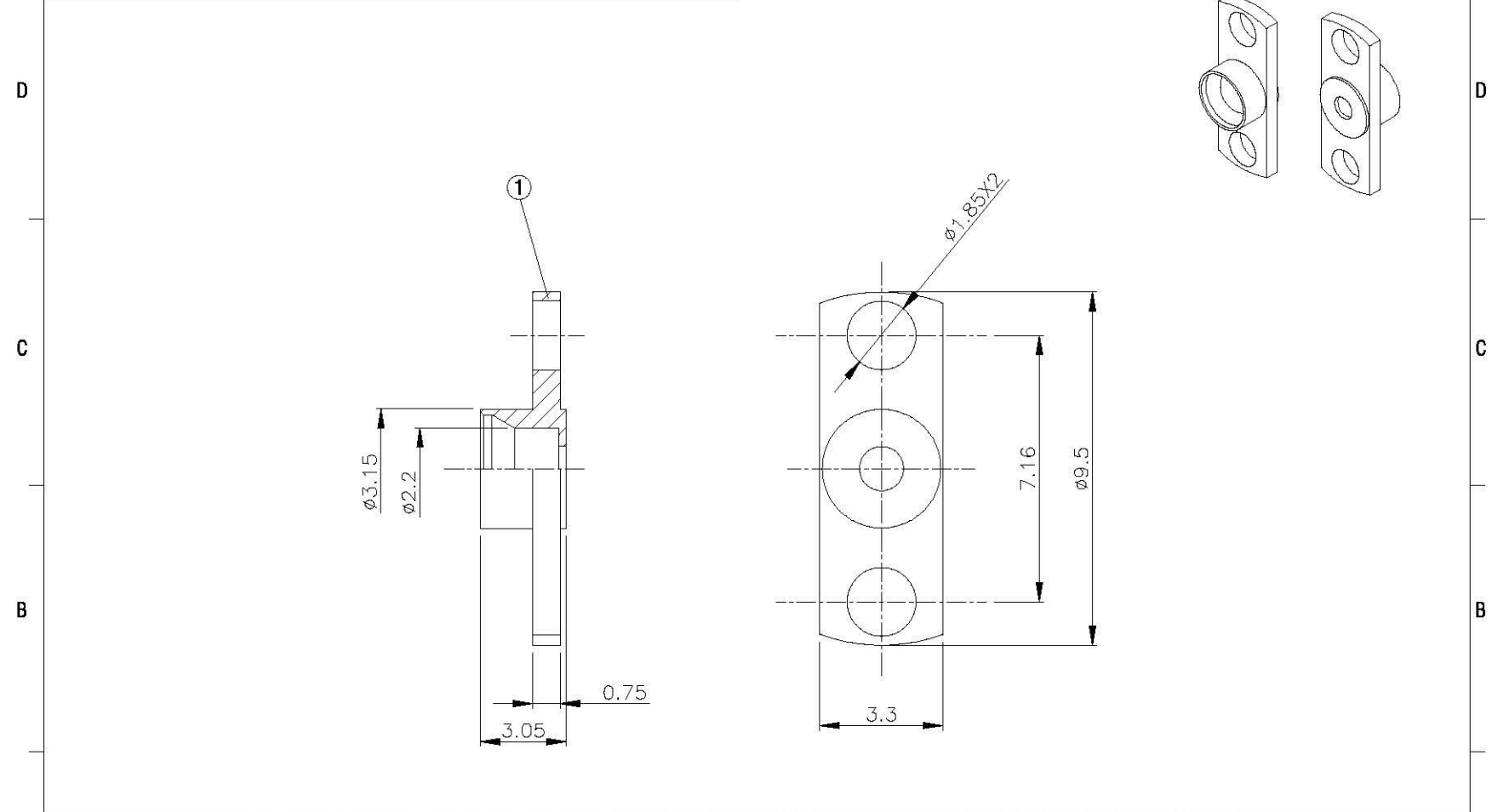
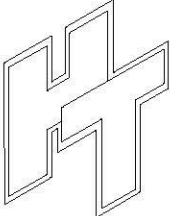



NO	DESCRIPTION	MATERIAL	Q'TY	FINISH	REMARK
1	BODY	SUS303	1	PASSIVATED	B-NSMP1476-SUS



		DRAWN	蘇志欣	DATE	98.09.18	DIMENSIONS ARE IN MILLIMETERS		REVISION	
	<small>www.allconnectors.com</small> <small>TEL: 886-2-2711-2911</small> <small>3F, No. 100, Sec. 2, Zhongxing Rd., Taipei 104, Taiwan</small>	CHECKED	蘇姿潔	DATE		UNLESS OTHERWISE SPECIFIED TOLERANCE		DESCRIPTION	ENGINEER
	TITLE SMP MALE FLANGE MOUNT SHROUD (SMOOTH BORE)	Q.A.	莊千慧	DATE		0.5-5=±0.2	120-315=±1		
	PART NO. NSMP-03-SUS-1	APPROVAL	徐燦霖	DATE		5-30=±0.4	315-1000=±1.6		
	DRAWING NO. NSMP-03-SUS-1	REVISION		DATE		30-120±0.6	1000-2000=±2.4		
		SCALE	4:1	SIZE	A				