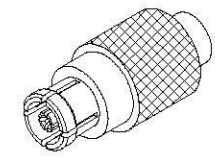
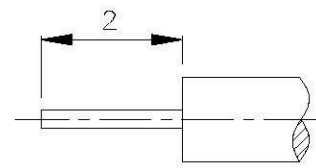
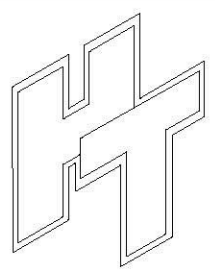
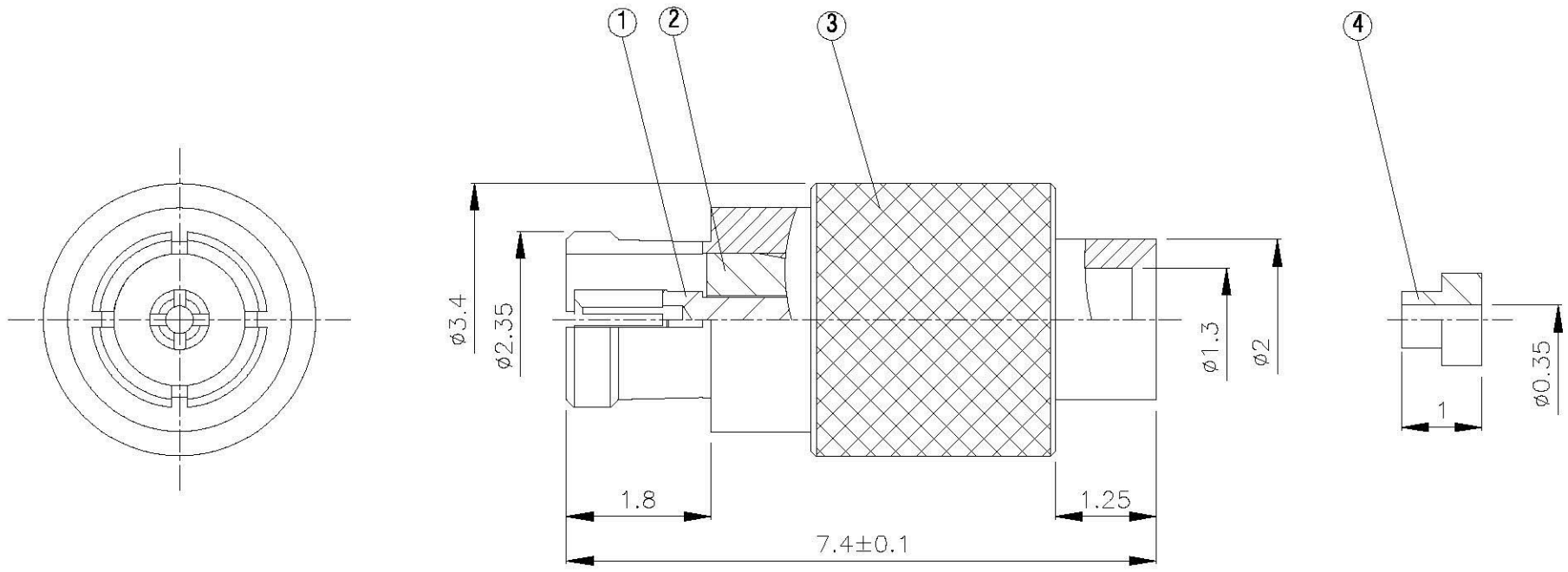


NO	DESCRIPTION	MATERIAL	Q'TY	FINISH	REMARK
1	PIN	BE CU	1	GOLD	P-NSMP0957-G
2	INSULATION 1	TEFLON	1	TEFLON	I-0650T
3	BODY 2	BE CU	1	GOLD	B-NSMP1387-G
4	INSULATION 2	TEFLON	1	TEFLON	I-0651T



(Recommended Stripping Dimension)



**All Connectors**  
 www.allconnectors.de  
 Tel.: 0049 711 7000500  
 40794 Bielefeld, Germany  
 info@allconnectors.de  
 Fax: 0049 711 7000504  
 Kettelerstraße, 25

**TITLE**  
MINI SMP FEMALE SOLDER (.047)

**PART NO.**  
NSMP-01V3-TGG

**DRAWING NO.**  
NSMP-01V3-TGG

**DRAWN** 蘇志欣 DATE 98.03.17

**CHECKED** 蘇姿潔

**Q.A.** 莊千慧

**APPROVAL** 徐燦霖

**REVISION**

**DIMENSIONS ARE IN MILLIMETERS**

**UNLESS OTHERWISE SPECIFIED TOLERANCE**

0.5-5=±0.2    120-315=±1  
 5-30= ±0.4    315-1000=±1.6  
 30-120±0.6    1000-2000=±2.4

**SCALE** 4:1    **SIZE** A

REVISION	
DESCRIPTION	ENGINEER