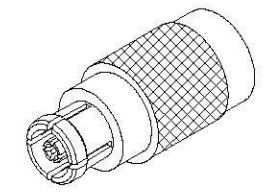
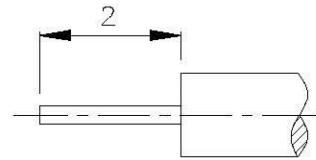
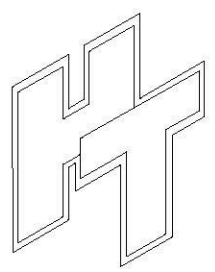
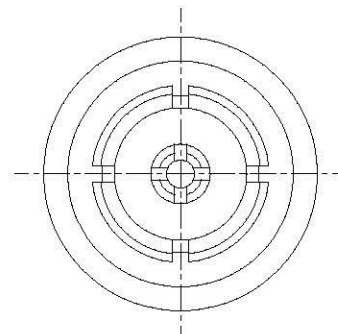
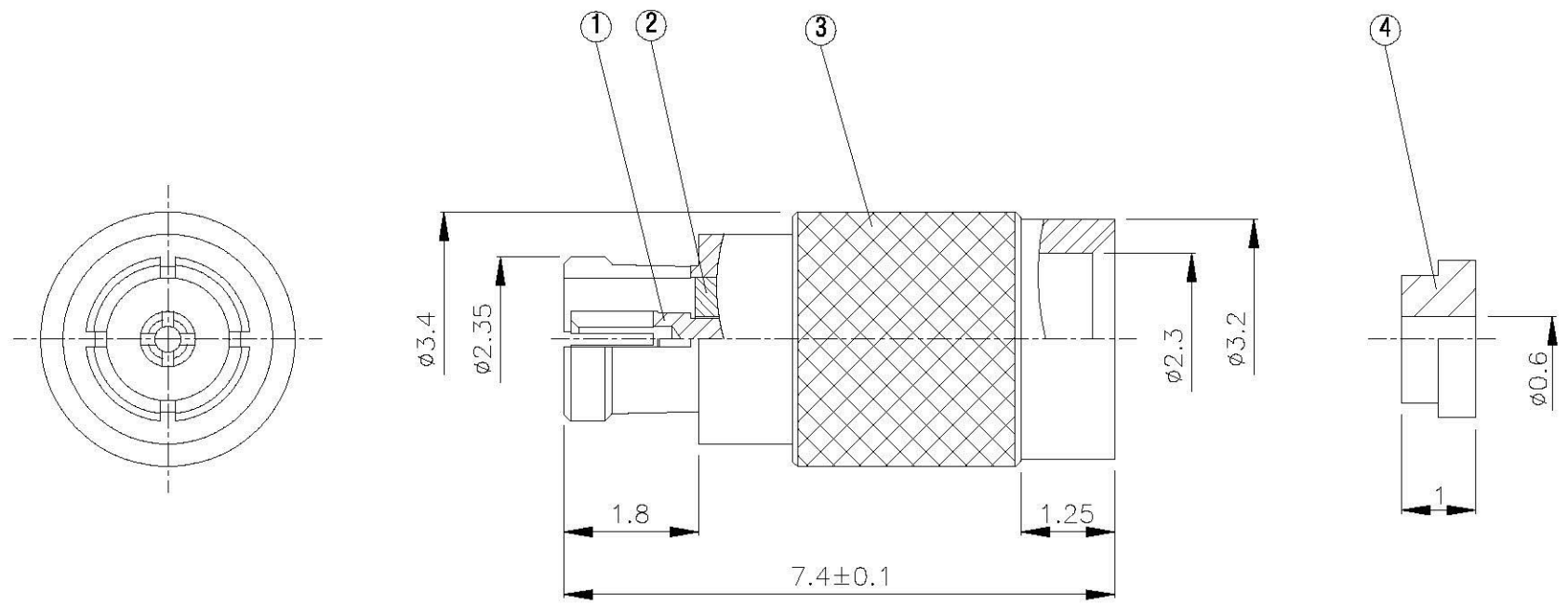


NO	DESCRIPTION	MATERIAL	Q'TY	FINISH	REMARK
1	PIN	BE CU	1	GOLD	P-NSMP0958-G
2	INSULATION 1	TEFLON	1	TEFLON	I-0650T
3	BODY 2	BE CU	1	GOLD	B-NSMP1388-G
4	INSULATION 2	TEFLON	1	TEFLON	I-0652T



(Recommended Stripping Dimension)



All Connectors
 www.allconnectors.de
 Tel.: 0049 711 7069503
 70754 Filderstadt - Germany
 info@allconnectors.de
 Fax: 0049 711 7069504
 Kettnerstr. 25

TITLE
MINI SMP FEMALE SOLDER (.078)

PART NO.
NSMP-01V1-TGG

DRAWING NO.
NSMP-01V1-TGG

DRAWN 蘇志欣 **DATE** 98.03.17

CHECKED 蘇姿潔 **DATE**

Q.A. 莊千慧 **DATE**

APPROVAL 徐燦霖 **DATE**

REVISION **DATE**

DIMENSIONS ARE IN MILLIMETERS

UNLESS OTHERWISE SPECIFIED TOLERANCE

0.5-5=±0.2 120-315=±1
 5-30=±0.4 315-1000=±1.6
 30-120±0.6 1000-2000=±2.4

SCALE 4:1 **SIZE** A

REVISION	
DESCRIPTION	ENGINEER