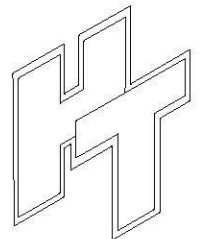
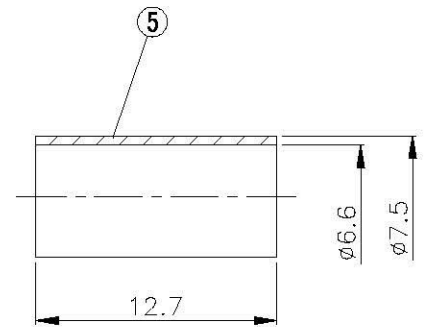
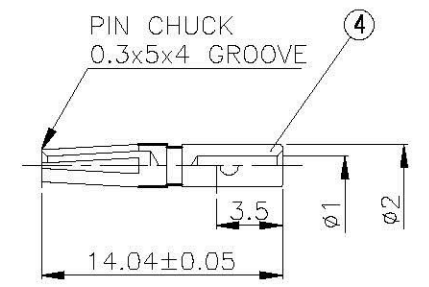
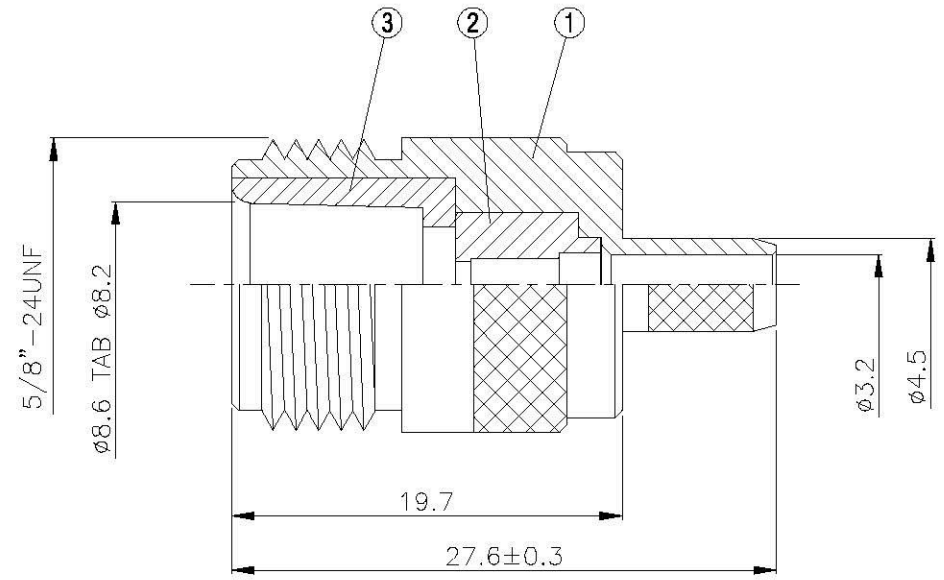
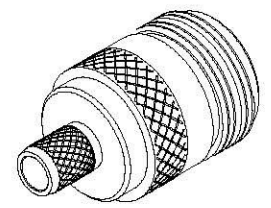
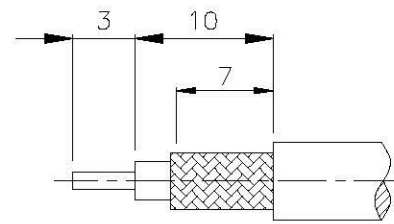


NO	DESCRIPTION	MATERIAL	Q'TY	FINISH	REMARK
1	BODY 1	BRASS	1	NICKEL	B-N0017-N
2	INSULATION	TEFLON	1	TEFLON	
3	BODY 2	BRASS	1	NICKEL	B-N0320-N
4	PIN	BRASS	1	GOLD	
5	RING	BRASS	1	NICKEL	R-0018-N



**All Connectors**  
 www.allconnectors.de  
 info@allconnectors.de  
 70794 Filderstadt, Germany

**TITLE** N FEMALE CRIMP FOR RG59/U  
**PART NO.** N-04GTGN  
**DRAWING NO.** N 04G TGN

**DRAWN** MARY  
**CHECKED** 蘇志欣  
**Q.A.** 蘇姿潔  
**APPROVAL** 徐燦霖  
**REVISION**

**DATE** 96.06.04  
**DATE** 96.06.04  
**DATE**  
**DATE**

**DIMENSIONS ARE IN MILLIMETERS**

**UNLESS OTHERWISE SPECIFIED TOLERANCE**

0.5-5=±0.2    120-315=±1  
 5-30= ±0.4    315-1000=±1.6  
 30-120=±0.6    1000-2000=±2.4

**SCALE** 4:1    **SIZE** A

REVISION	
DESCRIPTION	ENGINEER