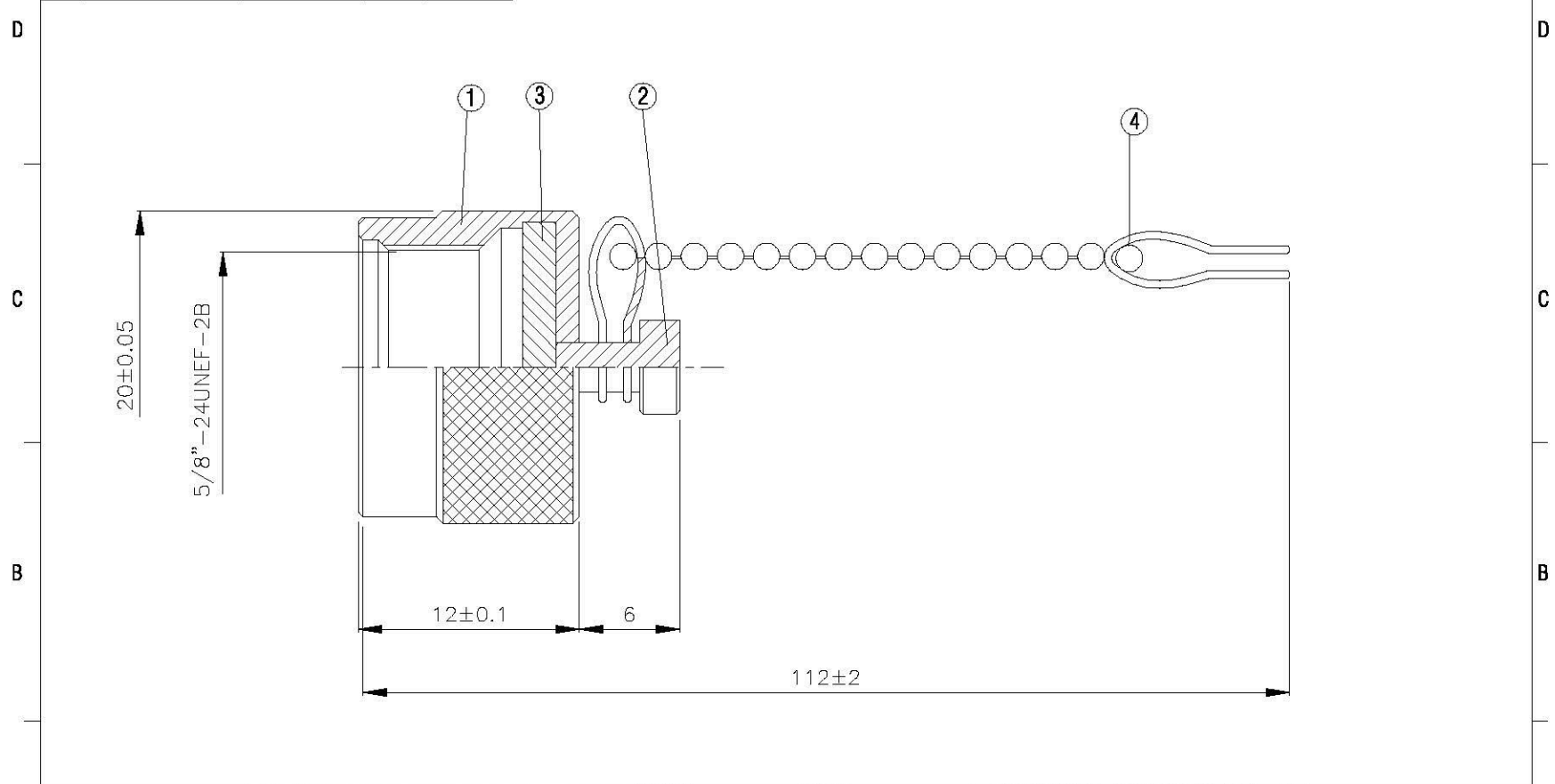
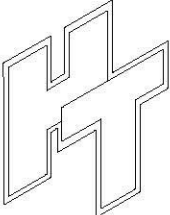


NO	DESCRIPTION	MATERIAL	Q'TY	FINISH
1	BODY 1	BRASS	1	NICKEL
2	SPICLT	BRASS	1	NICKEL
3	GASKET	RUBBER	1	RED
4	CHAIN	METAL	1	NICKEL



	Allconnectors <small>www.allconnectors.de Tel: 0945 711 7300-65 20294 Niebelsdorf, Germany</small>	DRAWN MARY CHECKED 蘇志欣 Q.A. 蘇姿潔 APPROVAL 徐燦霖 REVISION	DATE 96.11.30 DATE DATE DATE	DIMENSIONS ARE IN MILLIMETERS UNLESS OTHERWISE SPECIFIED TOLERANCE 0.5-5=±0.2 120-315=±1 5-30=±0.4 315-1000=±1.6 30-120±0.6 1000-2000=±2.4	REVISION	
	TITLE N MALE CAP FOR N FEMALE D-0006 (C-7319)				DESCRIPTION	ENGINEER
	PART NO. N-52-NICKEL					
	DRAWING NO. N 52 NICKEL					
					SCALE 4:1 SIZE A	