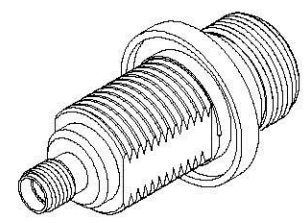
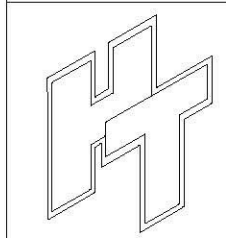
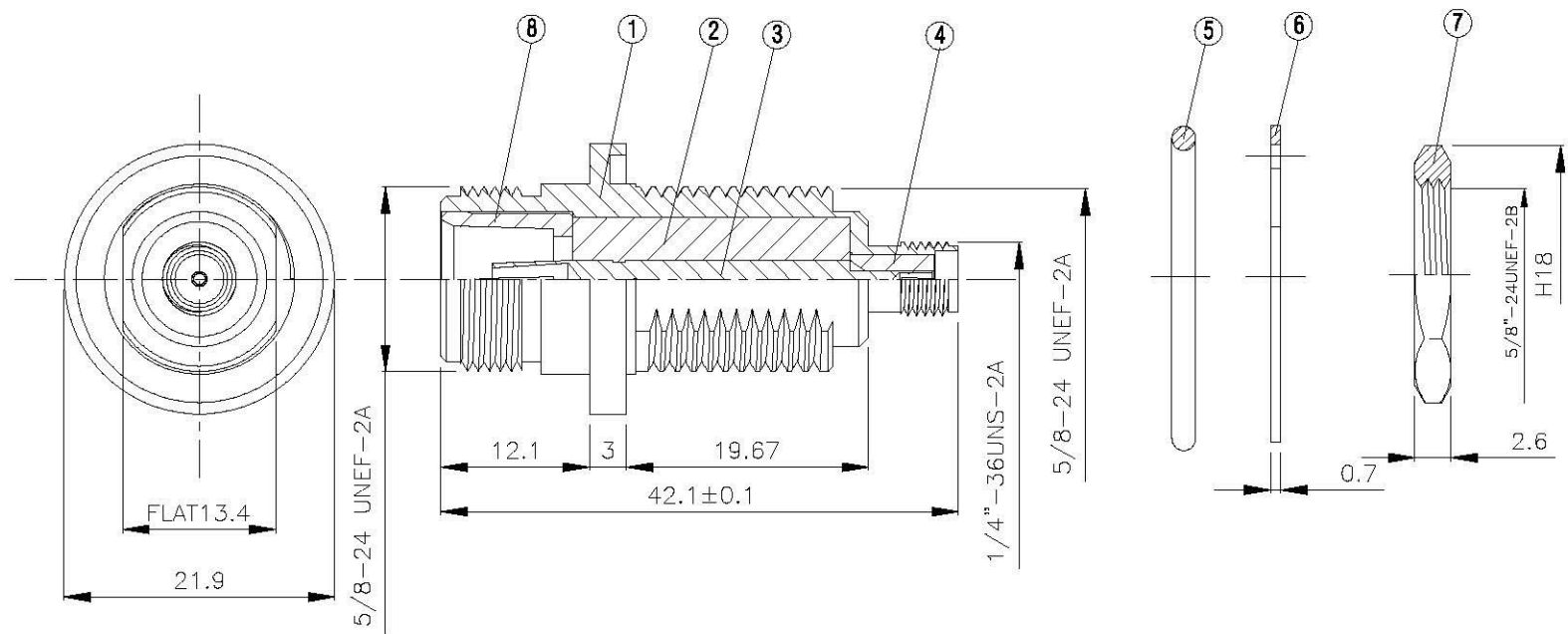


NO	DESCRIPTION	MATERIAL	Q' TY	FINISH	REMARK
1	BODY 1	BRASS	1	NICKEL	B-N1123-N
2	INSULATION	TEFLON	1	TEFLON	I-0124T
3	PIN	BRASS	1	GOLD	P-N0788-G
4	INSULATION 2	TEFLON	1	TEFLON	I-0151T
5	GASKET	SI RUBBER	1	RUBBER	RU-0009
6	WASHER	BRASS	1	NICKEL	W-0005-N
7	NUT	BRASS	1	NICKEL	N-0007-N
8	BODY 2	BRASS	1	NICKEL	B-N0320-N



D  
C  
B  
A



**Allconnectors**  
 www.allconnectors.de  
 Tel.: 0049 711 7096001  
 70754 Röhrendorf, Germany

info@allconnectors.de  
 Fax: 0049 711 7096004  
 Röhrendorf, DE

TITLE  
N JACK - SMA JACK ADAPTOR

PART NO.  
N-48-TGN

DRAWING NO.  
N 48 TGN

DRAWN MARY DATE 96.06.18

CHECKED 蘇志欣 DATE

Q.A. 蘇姿潔 DATE

APPROVAL 徐燦霖 DATE

REVISION DATE

DIMENSIONS ARE IN MILLIMETERS

UNLESS OTHERWISE SPECIFIED TOLERANCE

0.5-5=±0.2	120-315=±1
5-30=±0.4	315-1000=±1.6
30-120=±0.6	1000-2000=±2.4

SCALE 4:1 SIZE A

REVISION	
DESCRIPTION	ENGINEER

4 3 2 1