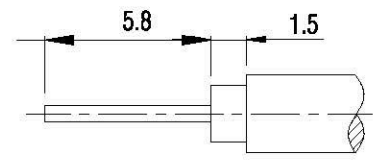
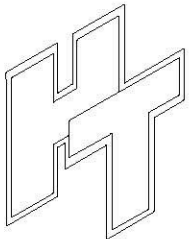
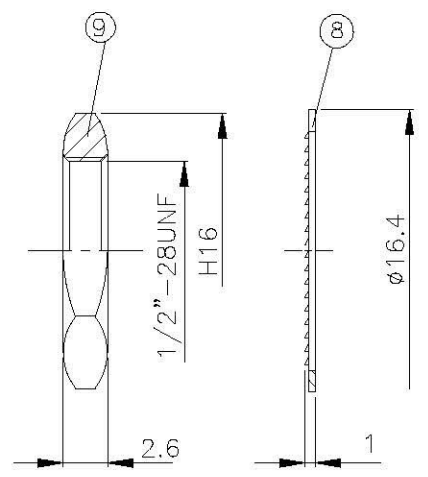
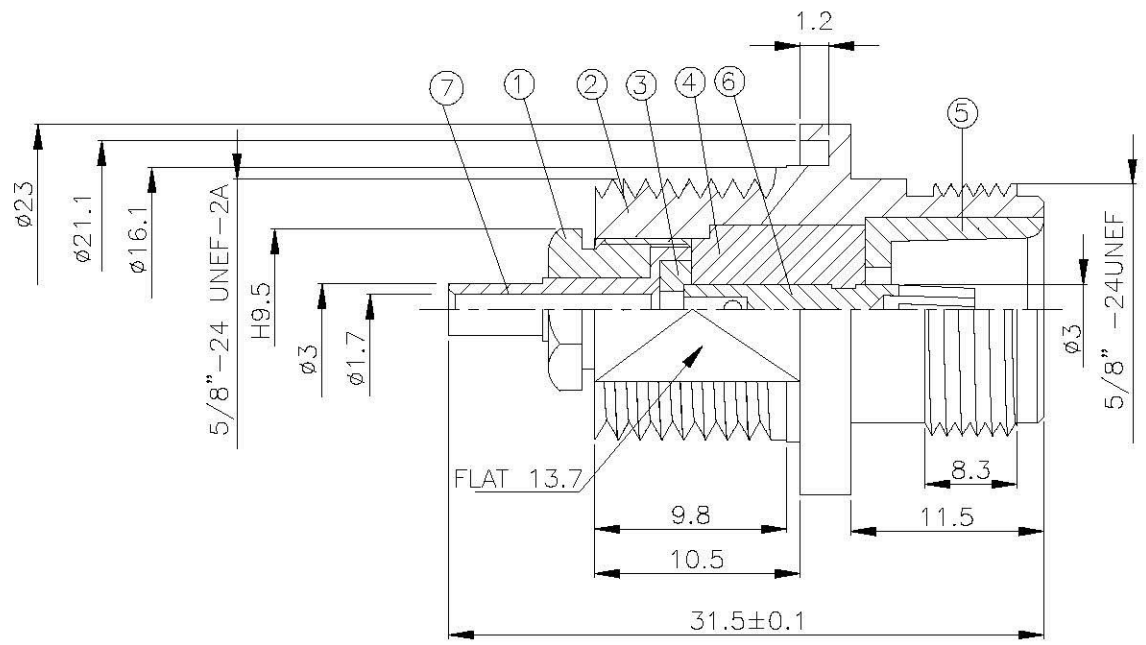
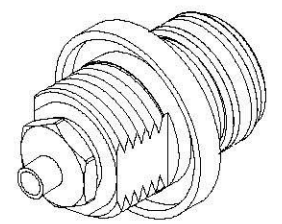


NO	DESCRIPTION	MATERIAL	Q'TY	FINISH	REMARK
1	NUT	BRASS	1	NICKEL	N-0004-N
2	BODY 1	BRASS	1	NICKEL	B-N1270-N
3	INSULATION	TEFLON	1	TEFLON	I-0448T
4	INSULATION	TEFLON	1	TEFLON	I-0117T
5	BODY 2	BRASS	1	NICKEL	B-N0320-N
6	PIN	BRASS	1	GOLD	P-N0837-G
7	BODY 3	BRASS	1	NICKEL	B-BNC0561-N
8	WASHER	BRASS	1	NICKEL	W-0005-N
9	NUT	BRASS	1	NICKEL	N-0007-N



(Recommended Stripping Dimension)



**Allconnectors**  
 www.allconnectors.de info@allconnectors.de  
 Tel: 0049 (0) 711 7002600 Fax: 0049 (0) 711 7002601  
 70794 Filderstadt - Germany Rellingenstr. 25

**TITLE N BULKHADE FEMALE SOLDER FOR RG-405/U(01649)**

**PART NO. N-45V1-TGN-1**

**DRAWING NO. N-45V1-TGN-1**

**DRAWN MARY** **DATE 96.05.02**

**CHECKED 蘇姿潔** **DATE**

**Q.A. 馮健華** **DATE**

**APPROVAL 徐燦霖** **DATE**

**REVISION** **DATE**

**DIMENSIONS ARE IN MILLIMETERS**

**UNLESS OTHERWISE SPECIFIED TOLERANCES**

0.5-5=±0.2	120-315=±1
5-30=±0.4	315-1000=±1.6
30-120=±0.6	1000-2000=±2.4

**SCALE 4:1** **SIZE A**

REVISION	
DESCRIPTION	ENGINEER