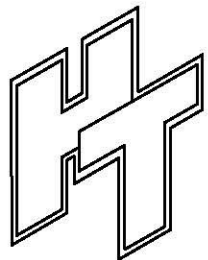
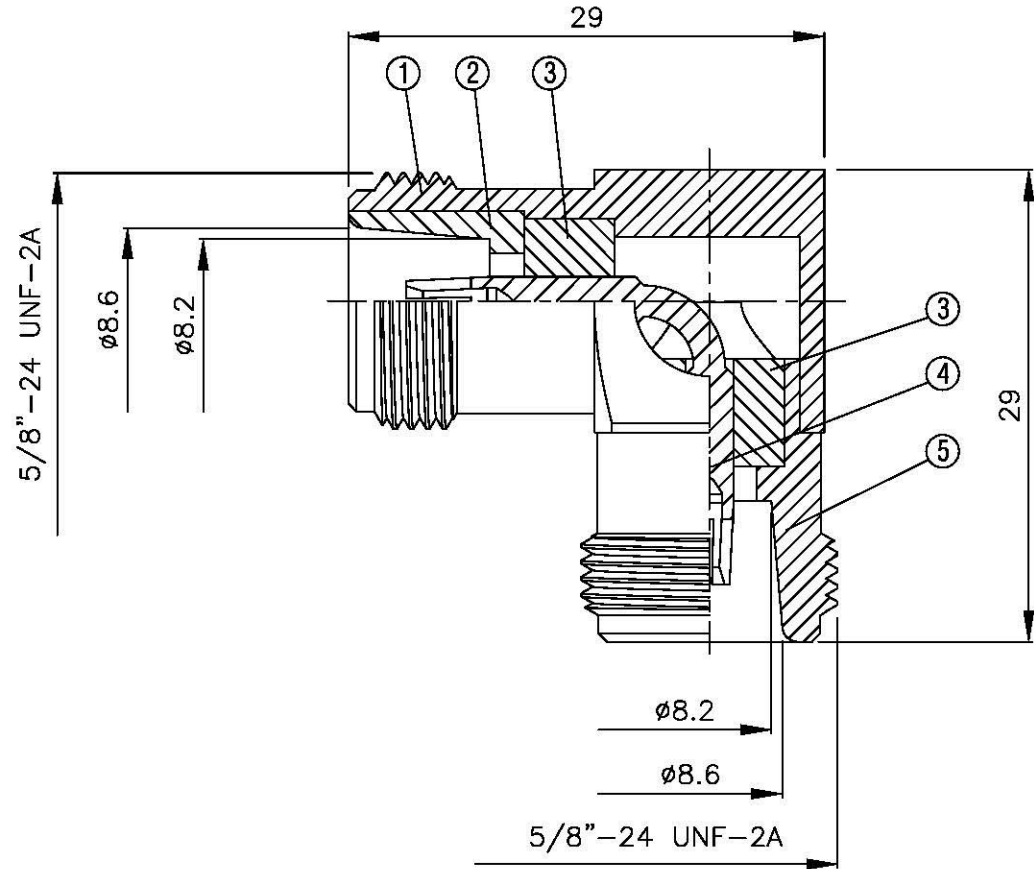
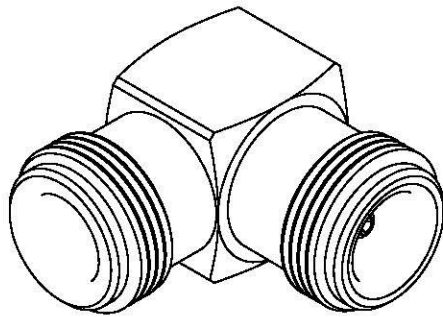


NO	DESCRIPTION	MATERIAL	Q'TY	FINISH	REMARK
1	BODY 1	BRASS	1	NICKEL	B-N0656-N
2	BODY 2	BRASS	1	NICKEL	B-N0320-N
3	INSULATION	TEFLON	2	TEFLON	I-0312T
4	PIN	BRASS	1	GOLD	P-N0441-G
5	BODY 3	BRASS	1	NICKEL	B-N0659-N



All Connectors

www.allconnectors.de
 info@allconnectors.de
 49 36 94 711 206405
 49 36 94 711 206406

Info@allconnectors.de
 Fax: 036 94 711 206406
 info@allconnectors.de

TITLE N RIGHT ANGLE MALE - N-MALE
 ADAPTOR

PART NO. N-40-TGN

DRAWING NO. N 40 TGN

DRAWN MARY DATE 96.06.04

CHECKED 蘇志欣 DATE

Q.A. 蘇姿潔 DATE

APPROVAL 徐燦霖 DATE

REVISION DATE

DIMENSIONS ARE IN MILLIMETERS

UNLESS OTHERWISE SPECIFIED
 TOLERANCE
 0.5-5=±0.2 120-315=±1
 5-30=±0.4 315-1000=±1.6
 30-120±0.6 1000-2000=±2.4

SCALE 4:1 SIZE A

REVISION

DESCRIPTION	ENGINEER

D

C

B

A

D

C

B

A

4

3

2

1