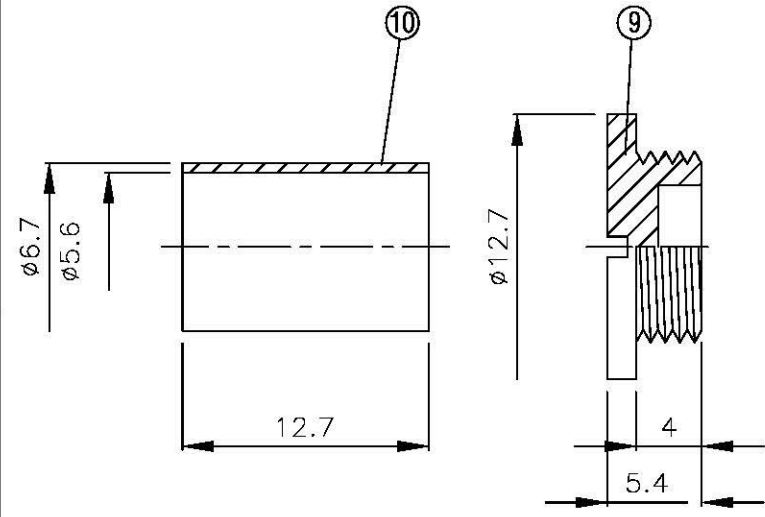
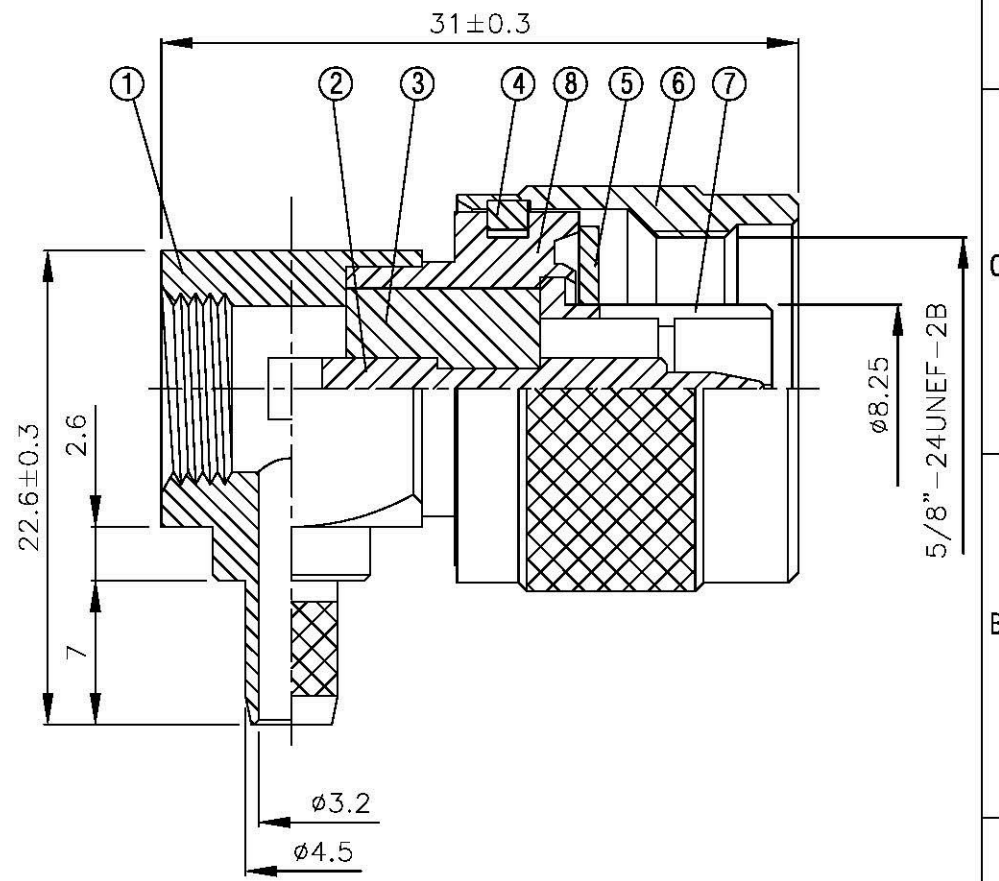
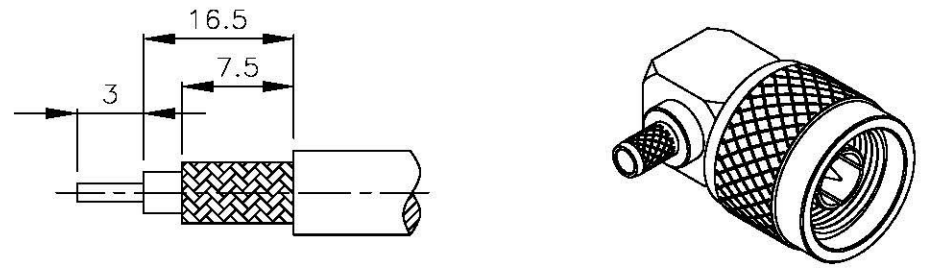


NO	DESCRIPTION	MATERIAL	Q'TY	FINISH	REMARK
1	BODY 1	BRASS	1	NICKEL	B-N0497-N
2	PIN	BRASS	1	GOLD	P-N0342-G
3	INSULATION	TEFLON	1	TEFLON	I-0247T
4	WASHER	PH.BRONZE	1	NICKEL	W-0014
5	GASKET	SI RUBBER	1	RUBBER	RU-0007
6	BODY 2	BRASS	1	NICKEL	B-N0032-N
7	BODY 3	BRASS	1	NICKEL	B-N0033-N
8	BODY 4	BRASS	1	NICKEL	B-N0498-N
9	WASHER	BRASS	1	NICKEL	W-0033-N
10	RING	BRASS	1	NICKEL	R-0007-N



Allconnectors

www.allconnectors.de info@allconnectors.de
Tel: +49 69 711 700000 Fax: +49 69 711 700004
70796 Hildersbach - Germany Hildersbach, DE

TITLE	N ANGLE MALE CRIMP FOR RG 58/U	DRAWN	MARY	DATE	97.02.20
PART NO.	N-35F-TGN	CHECKED	黄巧君	DATE	
DRAWING NO.	N 35F TGN	Q.A.	蘇姿潔	DATE	
		APPROVAL	徐燦霖	DATE	
		REVISION		DATE	

DIMENSIONS ARE IN MILLIMETERS				REVISION	
UNLESS OTHERWISE SPECIFIED TOLERANCE					
0.5-5=±0.2		120-315=±1		DESCRIPTION	ENGINEER
5-30=±0.4		315-1000=±1.6			
30-120=±0.6		1000-2000=±2.4			
SCALE	4:1	SIZE	A		