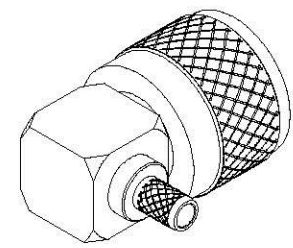
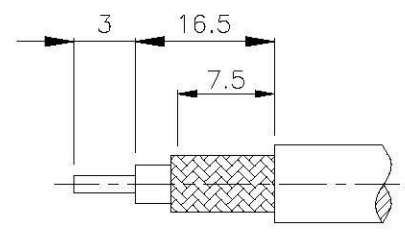


NO	DESCRIPTION	MATERIAL	Q'TY	FINISH	REMARK
1	BODY 1	BRASS	1	NICKEL	B-N0273-N
2	PIN	BRASS	1	GOLD	P-N0152-G
3	INSULATION	TEFLON	1	TEFLON	I-0057T
4	WASHER	PH.BRONZE	1	NICKEL	W-0014
5	GASKET	SI RUBBER	1	RUBBER	RU-0007
6	BODY 2	BRASS	1	NICKEL	B-N0032-N
7	BODY 3	BRASS	1	NICKEL	B-N0033-N
8	BODY 4	BRASS	1	NICKEL	B-N0265-N
9	WASHER	BRASS	1	NICKEL	W-0033-N
10	RING	BRASS	1	NICKEL	R-0010-N

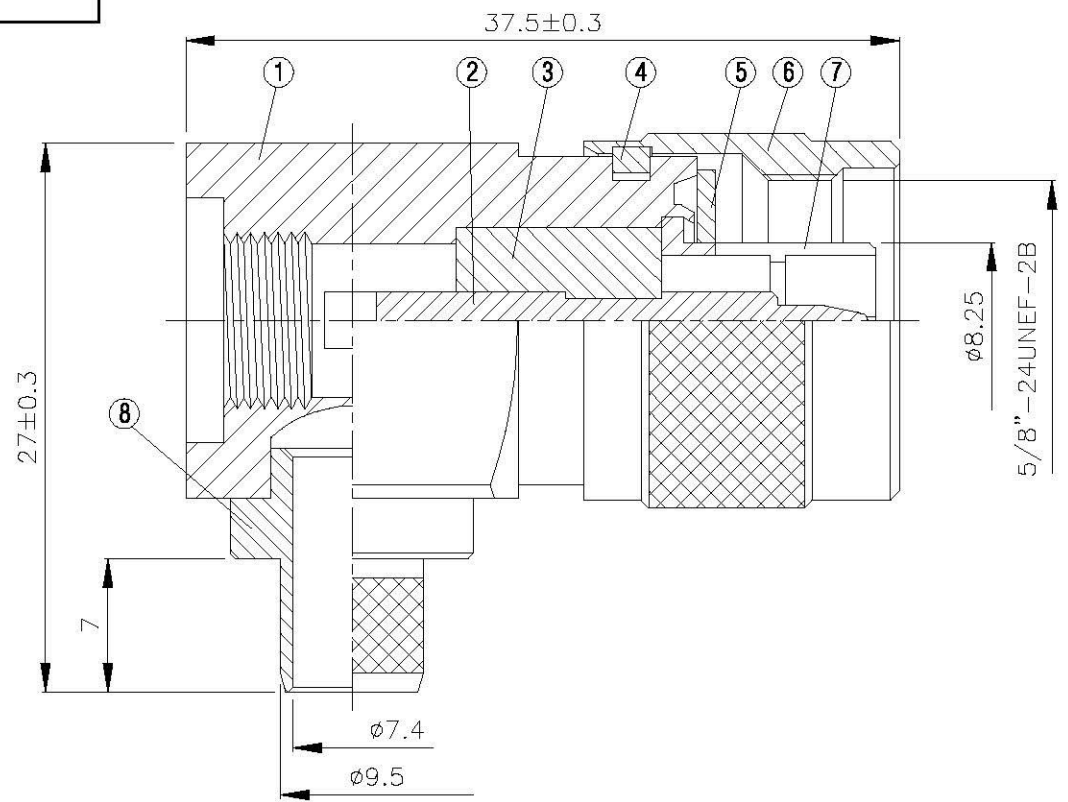
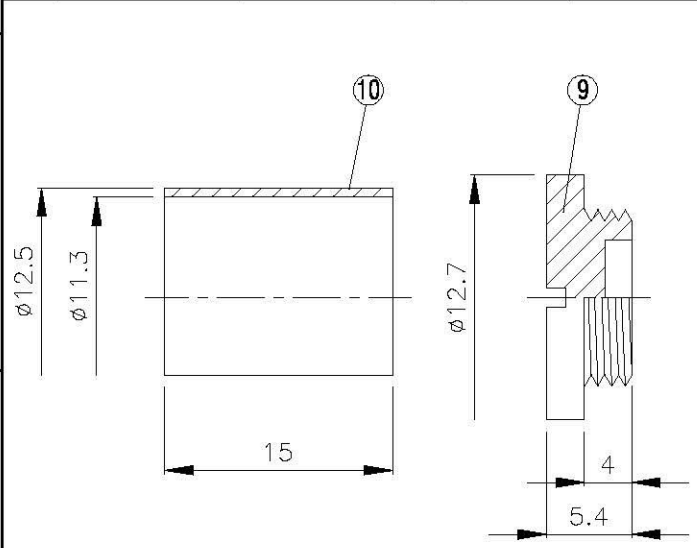


D

C

B

A

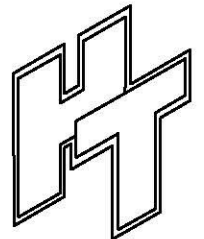


D

C

B

A



All Connectors
 www.allconnectors.de
 00291 Pilsenstadt - Germany

TITLE N ANGLE MALE CRIMP FOR RG-214/U

PART NO. N-35C-TGN

DRAWING NO. N 35C TGN

DRAWN	MARY	DATE	96.06.04
CHECKED	黄巧君	DATE	96.06.04
QA	蘇姿潔	DATE	
APPROVAL	徐燦霖	DATE	
REVISION		DATE	

DIMENSIONS ARE IN MILLIMETERS			
UNLESS OTHERWISE SPECIFIED TOLERANCE			
0.5-5=±0.2	120-315=±1		
5-30=±0.4	315-1000=±1.6		
30-120±0.6	1000-2000=±2.4		
SCALE	4:1	SIZE	A

REVISION	
DESCRIPTION	ENGINEER

4

3

2

1