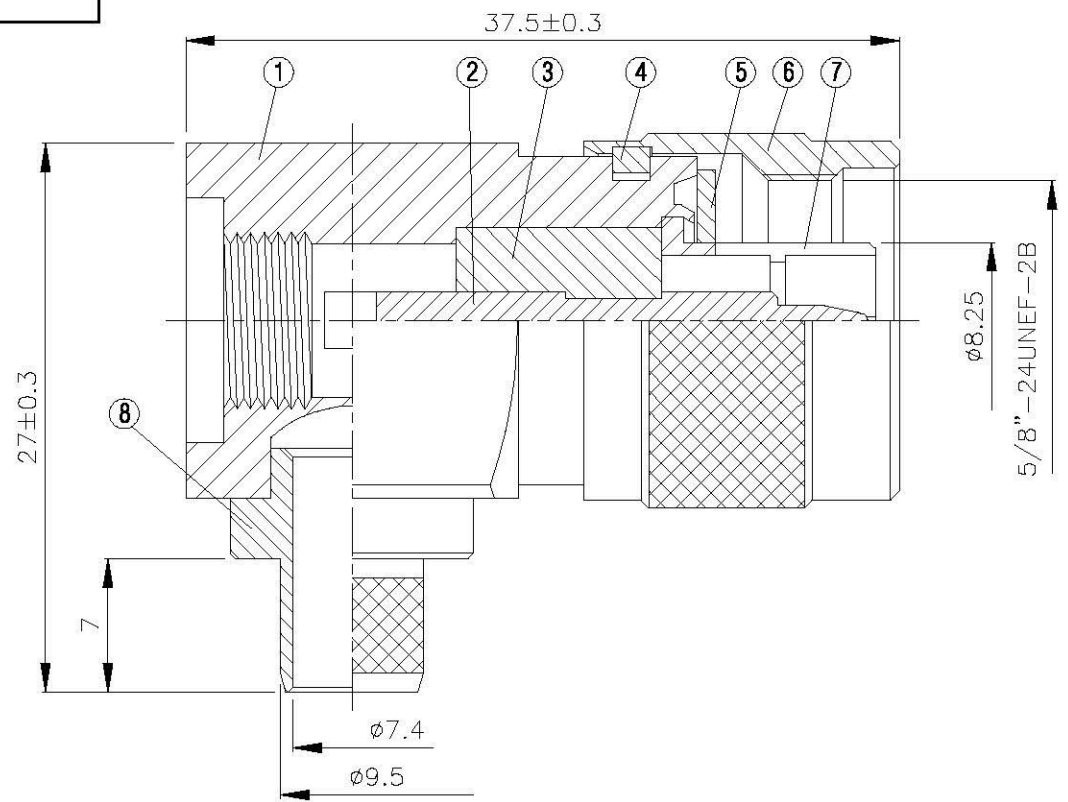
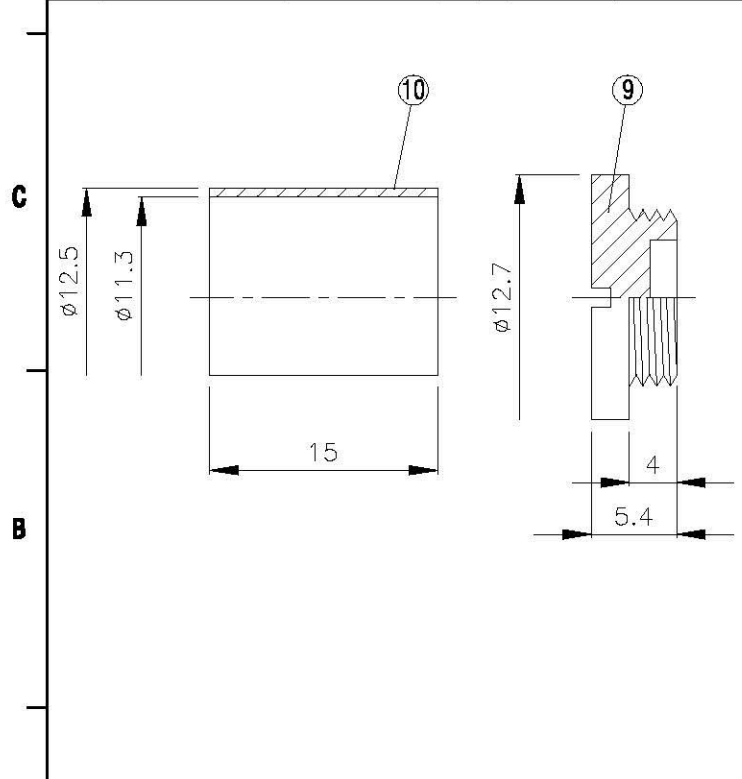
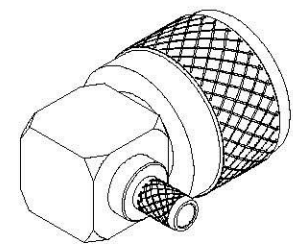
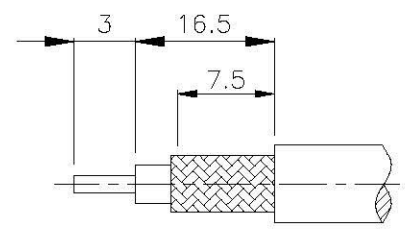



NO	DESCRIPTION	MATERIAL	Q'TY	FINISH	REMARK
1	BODY 1	BRASS	1	NICKEL	B-N0273-N
2	PIN	BRASS	1	GOLD	P-N0152-G
3	INSULATION	TEFLON	1	TEFLON	I-0057T
4	WASHER	PH.BRONZE	1	NICKEL	W-0014
5	GASKET	SI RUBBER	1	RUBBER	RU-0007
6	BODY 2	BRASS	1	NICKEL	B-N0032-N
7	BODY 3	BRASS	1	NICKEL	B-N0033-N
8	BODY 4	BRASS	1	NICKEL	B-N0265-N
9	WASHER	BRASS	1	NICKEL	W-0033-N
10	RING	BRASS	1	NICKEL	R-0010-N



	 <small>www.allconnectors.de info@allconnectors.de Tel: +49 911 211 004-10 Fax: +49 911 211 004-19 70708 Filderstadt, Germany Rolf Herberich, CEO</small>	DRAWN MARY DATE 96.06.04 CHECKED 黄巧君 DATE 96.06.04 QA 蘇姿潔 DATE APPROVAL 徐燦霖 DATE REVISION DATE	DIMENSIONS ARE IN MILLIMETERS UNLESS OTHERWISE SPECIFIED TOLERANCE 0.5-5=±0.2 120-315=±1 5-30=±0.4 315-1000=±1.6 30-120±0.6 1000-2000=±2.4 SCALE 4:1 SIZE A	REVISION DESCRIPTION ENGINEER
	TITLE N ANGLE MALE CRIMP FOR RG-213/U	Q.A. 蘇姿潔 DATE	0.5-5=±0.2 120-315=±1 5-30=±0.4 315-1000=±1.6 30-120±0.6 1000-2000=±2.4	REVISION DESCRIPTION ENGINEER
	PART NO. N-35B-TGN	APPROVAL 徐燦霖 DATE	0.5-5=±0.2 120-315=±1 5-30=±0.4 315-1000=±1.6 30-120±0.6 1000-2000=±2.4	REVISION DESCRIPTION ENGINEER
	DRAWING NO. N 35B TGN	REVISION DATE	0.5-5=±0.2 120-315=±1 5-30=±0.4 315-1000=±1.6 30-120±0.6 1000-2000=±2.4	REVISION DESCRIPTION ENGINEER