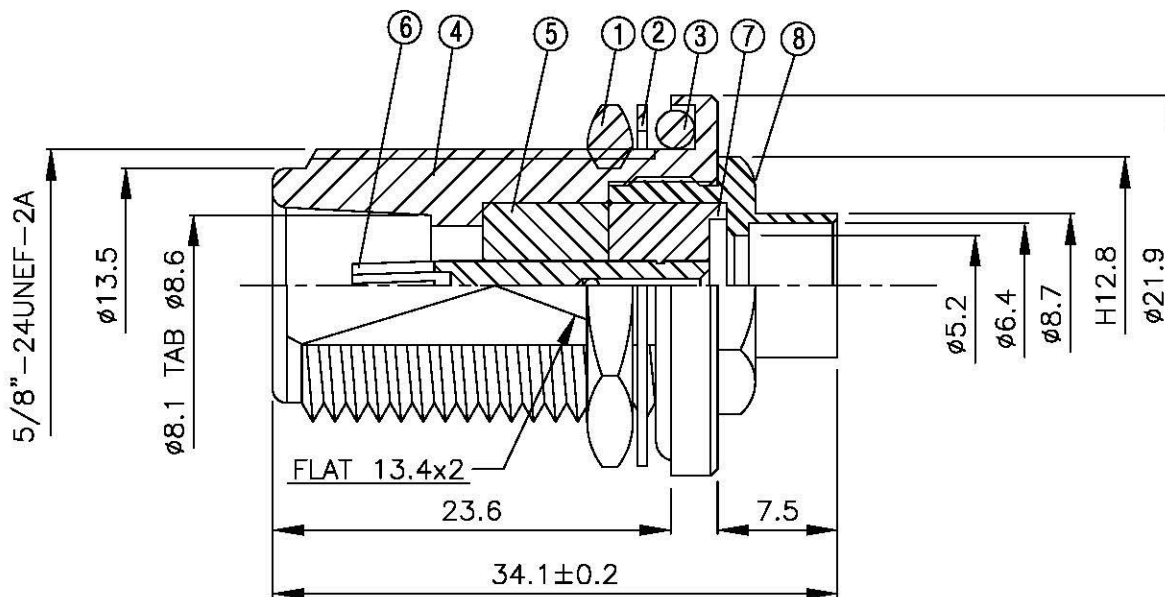
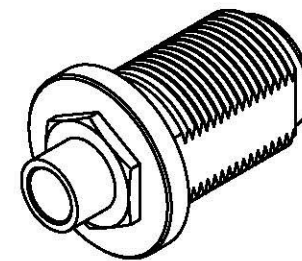
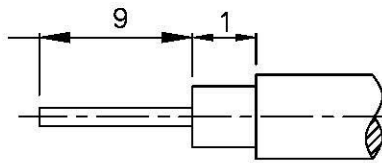


NO	DESCRIPTION	MATERIAL	Q'TY	FINISH
1	NUT	BRASS	1	NICKEL
2	WASHER	BRASS	1	NICKEL
3	GASKET	SI RUBBER	1	RUBBER
4	BODY	BRASS	1	NICKEL
5	INSULATION	TEFLON	1	TEFLON
6	PIN	BRASS	1	GOLD
7	INSULATION	TEFLON	1	TEFLON
8	SHELL	BRASS	1	GOLD



		DRAWN MARY DATE 96.07.12	DIMENSIONS ARE IN MILLIMETERS		REVISION		
	<small>www.allconnectors.de Tel.: 0049 711 7009503 70794 Filzdenstadt - Germany</small>	<small>info@allconnectors.de Fax: 0049 711 7009504 Kettnerstr. 25</small>	CHECKED 黄巧君 DATE	UNLESS OTHERWISE SPECIFIED TOLERANCE		DESCRIPTION	ENGINEER
	TITLE N FEMALE SOLDER FOR RG 401(.250)		Q.A. 蘇姿潔 DATE	0.5-5=±0.2 120-315=±1			
	PART NO. N-32V4-TGN		APPROVAL 徐燦霖 DATE	5-30= ±0.4 315-1000=±1.6			
	DRAWING NO. N 32V4 TGN		REVISION DATE	30-120±0.6 1000-2000=±2.4			
			SCALE 4:1	SIZE A			