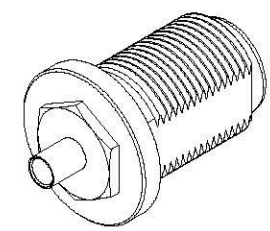
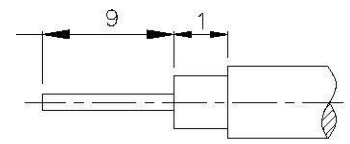


NO	DESCRIPTION	MATERIAL	Q'TY	FINISH	REMARK
1	NUT	BRASS	1	NICKEL	N-0007-N
2	WASHER	BRASS	1	NICKEL	W-0005-N
3	GASKET	SI RUBBER	1	RUBBER	RU-0009
4	BODY	BRASS	1	NICKEL	B-N0055-N
5	INSULATION	TEFLON	1	TEFLON	I-0121T
6	PIN	BRASS	1	GOLD	P-N0082-G
7	INSULATION	TEFLON	1	TEFLON	I-0120T
8	SHELL	BRASS	1	GOLD	B-N0051-G



D

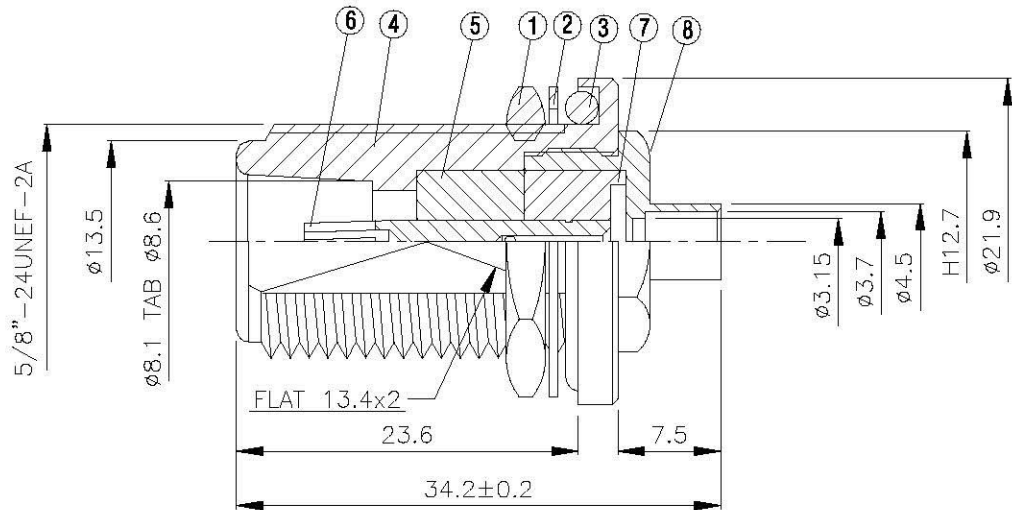
D

C

C

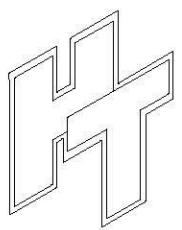
B

B



A

A



**All Connectors**  
 www.allconnectors.de info@allconnectors.de  
 Tel: 0049 711 700550 Fax: 0049 711 700551  
 40544 Hlocstadt, Germany Reckenerstr. 25

**TITLE N FEMALE SOLDER FOR RG 402 (.141)**

**PART NO. N-32V2-TGN**

**DRAWING NO. N 32V2 TGN**

**DRAWN MARY** **DATE 96.06.04**

**CHECKED 黃巧君** **DATE**

**Q.A. 蘇姿潔** **DATE**

**APPROVAL 徐慶霖** **DATE**

**REVISION** **DATE**

**DIMENSIONS ARE IN MILLIMETERS**

**UNLESS OTHERWISE SPECIFIED TOLERANCE**

0.5-5=±0.2	120-315=±1
5-30=±0.4	315-1000=±1.6
30-120=±0.6	1000-2000=±2.4

**SCALE 4:1** **SIZE A**

REVISION	
DESCRIPTION	ENGINEER

4

3

2

1