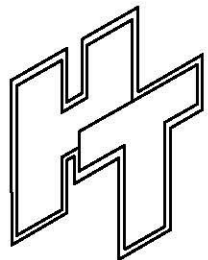
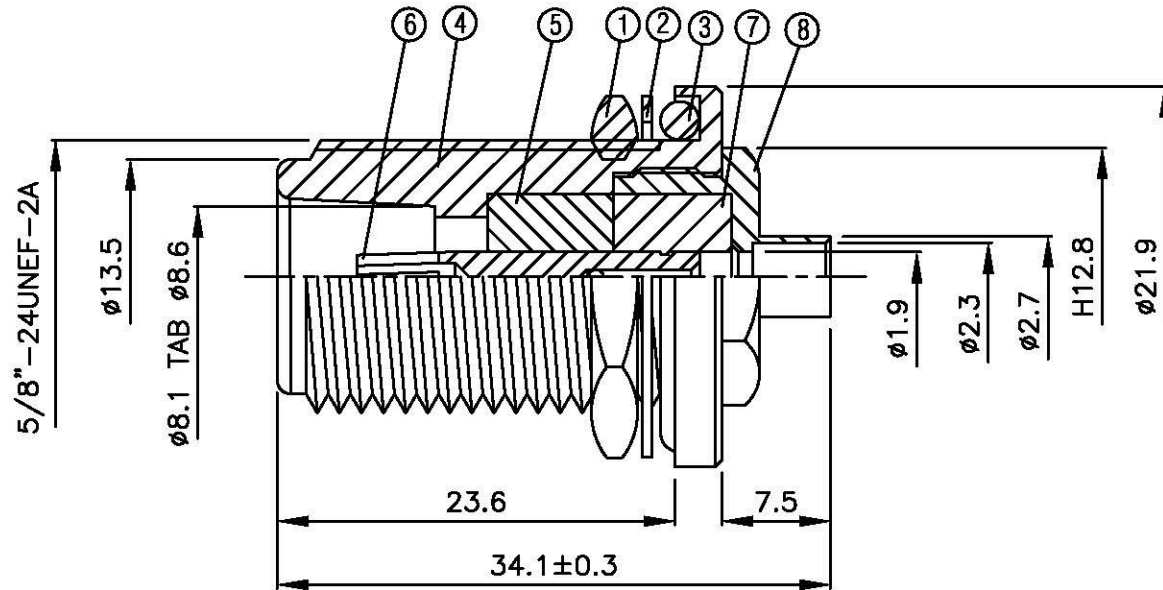
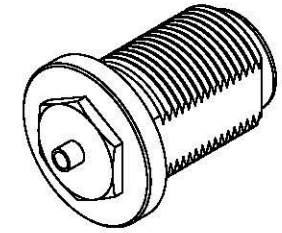
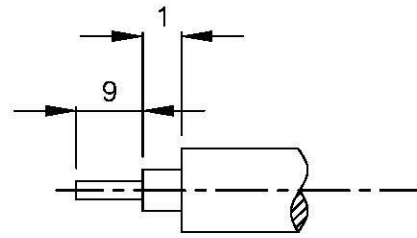


NO	DESCRIPTION	MATERIAL	Q'TY	FINISH	REMARK
1	NUT	BRASS	1	NICKEL	N-0007-N
2	WASHER	BRASS	1	NICKEL	W-0005-N
3	GASKET	SI RUBBER	1	RUBBER	RU-0009
4	BODY	BRASS	1	NICKEL	B-N0055-N
5	INSULATION	TEFLON	1	TEFLON	I-0121T
6	PIN	BRASS	1	GOLD	P-N0044-G
7	INSULATION	TEFLON	1	TEFLON	I-0120T
8	SHELL	BRASS	1	NICKEL	B-N0054-N



Allconnectors

www.allconnectors.de
 info@allconnectors.de
 Tel.: 0049 711 2009509
 Fax: 0049 711 2009504
 30294 Hildesheim, Germany
 Rottumcrstr. 25

TITLE N FEMALE SOLDER FOR
 RG405 (.085)

PART NO. N-32V1-TGN

DRAWING NO. N 32V1 TGN

DRAWN MARY DATE 96.01.29

CHECKED 黄巧君 DATE

Q.A. 蘇姿潔 DATE

APPROVAL 徐燦霖 DATE

REVISION DATE

DIMENSIONS ARE IN MILLIMETERS

UNLESS OTHERWISE SPECIFIED
 TOLERANCE
 0.5-5=±0.2 120-315=±1
 5-30=±0.4 315-1000=±1.6
 30-120±0.6 1000-2000=±2.4

SCALE 4:1 SIZE A

REVISION

DESCRIPTION ENGINEER