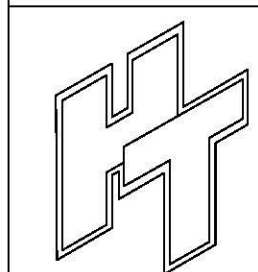
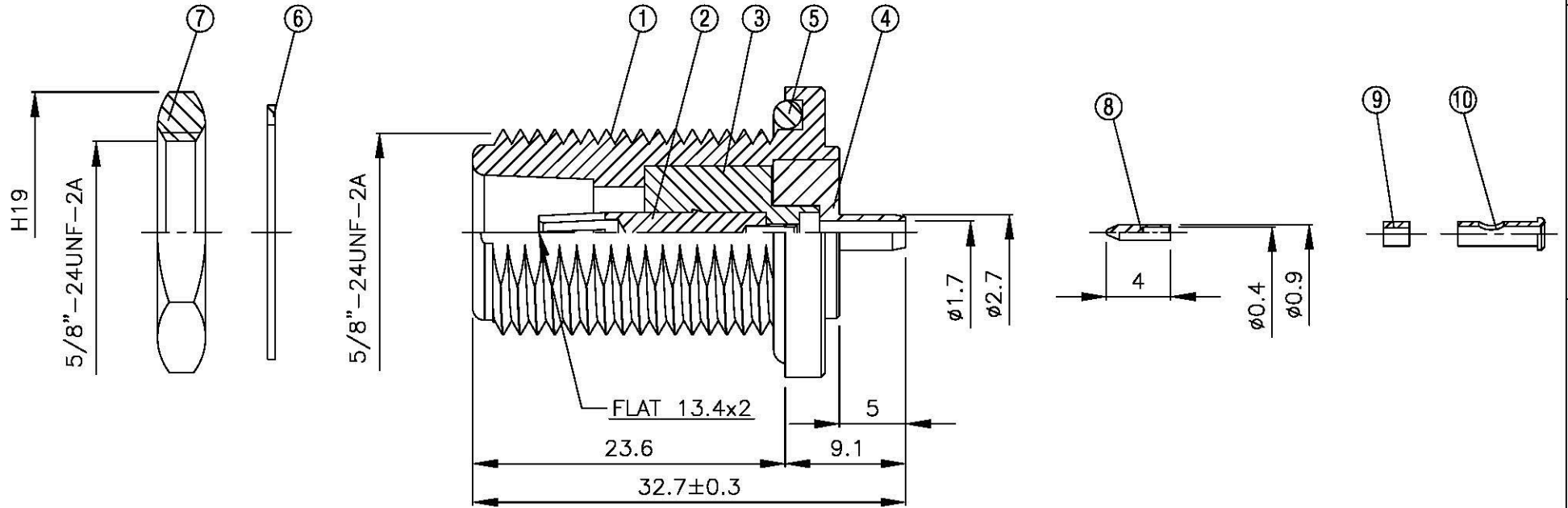
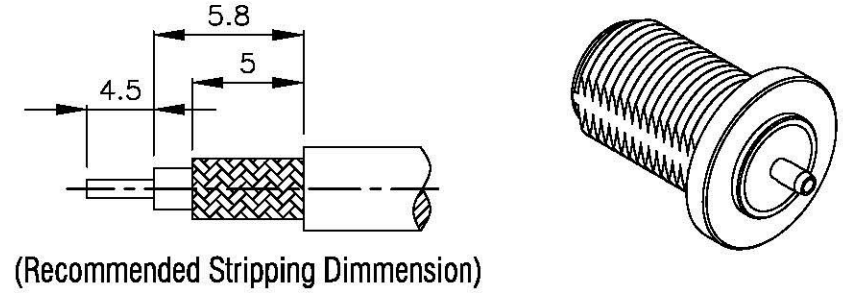


NO	DESCRIPTION	MATERIAL	Q'TY	FINISH	REMARK
1	BODY 1	BRASS	1	NICKEL	B-N0049-N
2	PIN	BRASS	1	GOLD	P-N0654-G
3	INSULATION	TEFLON	1	TEFLON	I-0454T
4	BODY 2	BRASS	1	NICKEL	B-N0928-N
5	GASKET	SI RUBBER	1	RUBBER	RU-0009
6	WASHER	BRASS	1	NICKEL	W-0005-N
7	NUT	BRASS	1	NICKEL	N-0007-N
8	PIN	BRASS	1	GOLD	P-FME0505-G
9	INSULATION 2	TEFLON	1	TEFLON	I-0256T
10	BODY 3	BRASS	1	GOLD	B-SMA0473-G



All Connectors
 www.allconnectors.de
 Tel: 0049 744 7009503
 79721 Filderstadt - Germany
 info@allconnectors.de
 Fax: 0049 744 7009504
 Kettenstr. 25

TITLE **N FEMALE CRIMP FOR RG-178/U**

PART NO. **N-32M-TGN**

DRAWING NO. **N 32M TGN**

DRAWN	MARY	DATE	96.03.06
CHECKED	蘇姿潔	DATE	
Q.A.	馮健華	DATE	
APPROVAL	徐燦霖	DATE	
REVISION		DATE	

DIMENSIONS ARE IN MILLIMETERS

UNLESS OTHERWISE SPECIFIED TOLERANCE

0.5-5=±0.2	120-315=±1
5-30=±0.4	315-1000=±1.6
30-120±0.6	1000-2000=±2.4

SCALE 4:1 SIZE A

REVISION	
DESCRIPTION	ENGINEER