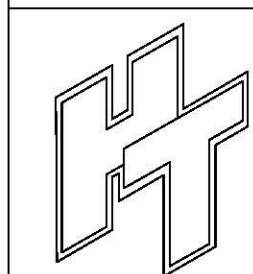
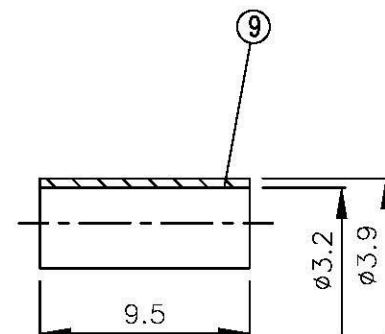
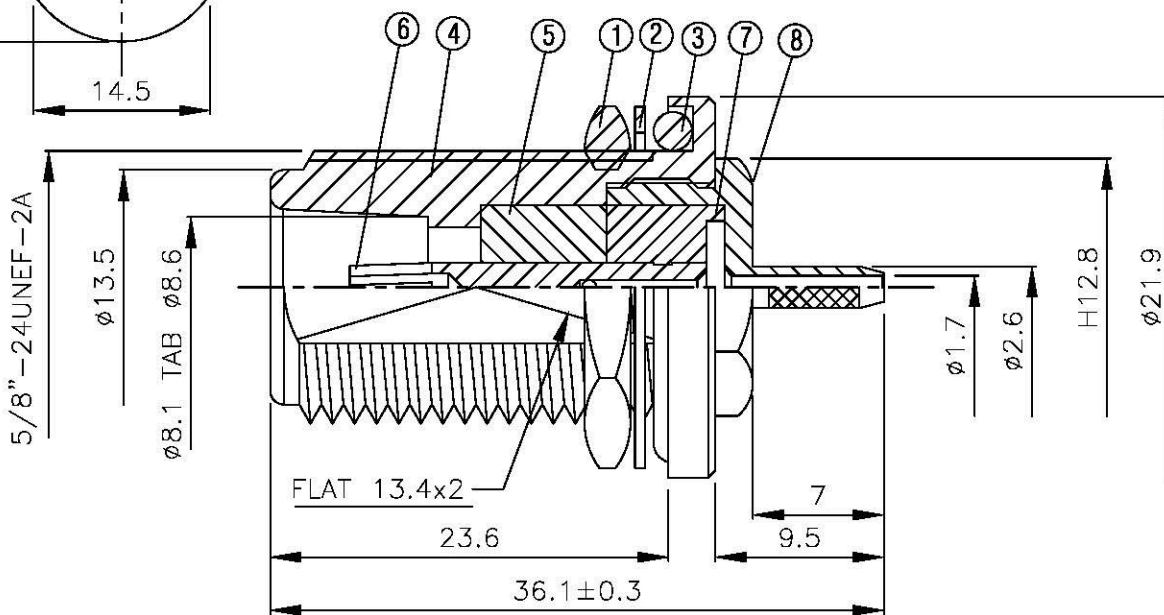
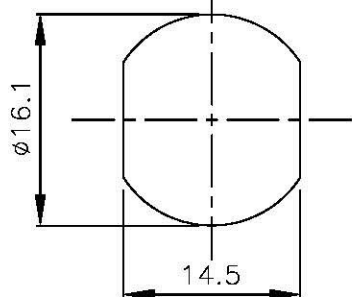
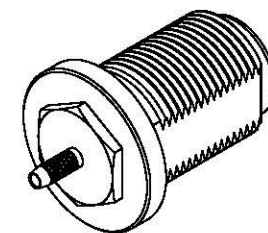
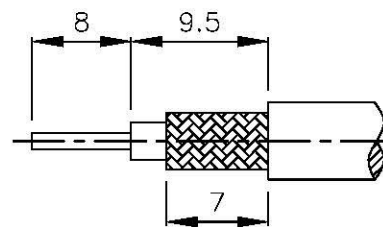


NO	DESCRIPTION	MATERIAL	Q'TY	FINISH	REMARK
1	NUT	BRASS	1	NICKEL	N-0007-N
2	WASHER	BRASS	1	NICKEL	W-0005-N
3	GASKET	SI RUBBER	1	RUBBER	RU-0009
4	BODY	BRASS	1	NICKEL	B-N0055-N
5	INSULATION	TEFLON	1	TEFLON	I-0121T
6	PIN	BRASS	1	GOLD	P-N0082-G
7	INSULATION	TEFLON	1	TEFLON	I-0120T
8	SHELL	BRASS	1	NICKEL	B-N0053-N
9	RING	BRASS	1	NICKEL	R-0002-N



All Connectors

www.allconnectors.de
Tel.: 0049 711 7009003
70794 Filzschall, Germany

info@allconnectors.de
Fax: 0049 711 7009004
Kilfenchenstr. 25

TITLE N FEMALE CRIMP FOR
RG-316U,174/U

PART NO. N-32LV1-TGN

DRAWING NO. N 32LV1 TGN

DRAWN MARY DATE 96.06.04

CHECKED 蘇姿潔 DATE

Q.A. 馮健華 DATE

APPROVAL 徐燦霖 DATE

REVISION DATE

DIMENSIONS ARE IN MILLIMETERS

UNLESS OTHERWISE SPECIFIED
TOLERANCE

0.5-5=±0.2 120-315=±1

5-30=±0.4 315-1000=±1.6

30-120±0.6 1000-2000=±2.4

SCALE 4:1 SIZE A

REVISION

DESCRIPTION ENGINEER