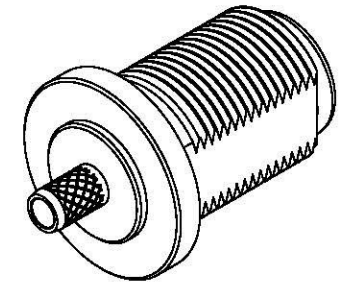
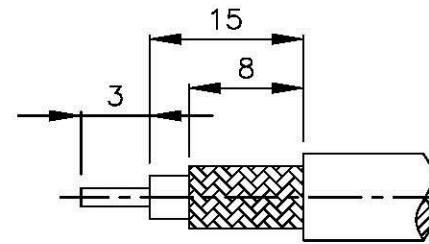
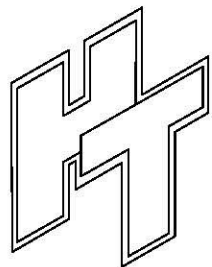
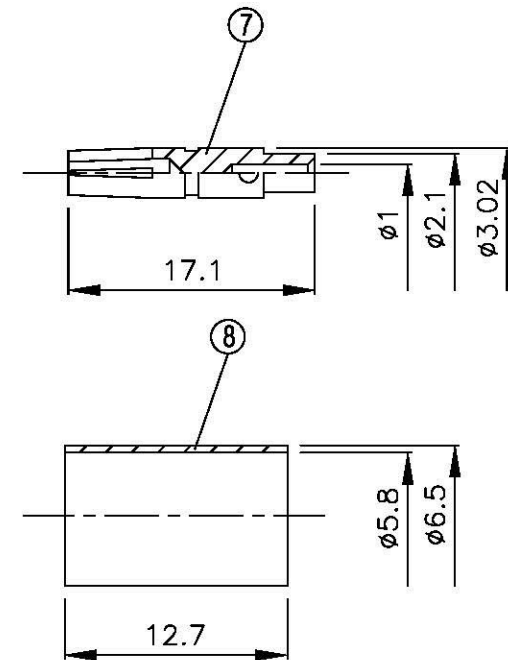
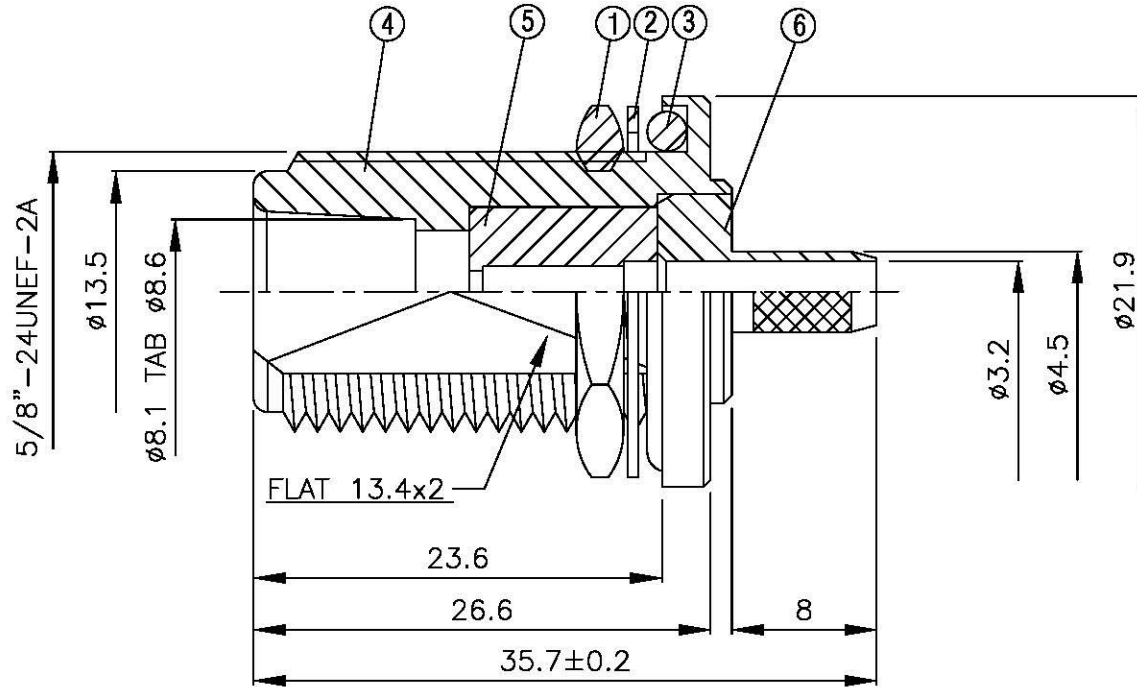


NO	DESCRIPTION	MATERIAL	Q'TY	FINISH	REMARK
1	NUT	BRASS	1	NICKEL	N-0007-N
2	WASHER	BRASS	1	NICKEL	W-0005-N
3	GASKET	SI RUBBER	1	RUBBER	RU-0009
4	BODY	BRASS	1	NICKEL	B-N0049-N
5	INSULATION	TEFLON	1	TEFLON	I-0118-T
6	BODY	BRASS	1	NICKEL	B-N0052-N
7	PIN	BRASS	1	GOLD	P-N0043-G
8	RING	BRASS	1	TEFLON	R-0047-N



(Recommended Stripping Dimension)



**All Connectors**  
 www.allconnectors.de  
 if fo@allconnectors.de  
 +49 1884 211 200-100  
 70796 Filzschlamm, Germany  
 +49 1884 211 200-104  
 60 411@allconnectors.de

TITLE N FEMALE CRIMP FOR  
 RG-400/U,142/U

PART NO. N-32FA-TGN

DRAWING NO. N 32FA TGN

DRAWN MARY DATE 96.04.16

CHECKED 蘇姿潔 DATE

Q.A. 馮健華 DATE

APPROVAL 徐燦霖 DATE

REVISION DATE

DIMENSIONS ARE IN MILLIMETERS

UNLESS OTHERWISE SPECIFIED  
 TOLERANCE

0.5-5=±0.2	120-315=±1
5-30=±0.4	315-1000=±1.6
30-120±0.6	1000-2000=±2.4

SCALE 4:1 SIZE A

REVISION

DESCRIPTION	ENGINEER