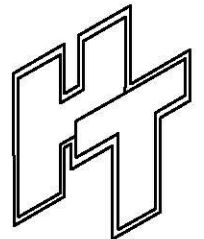
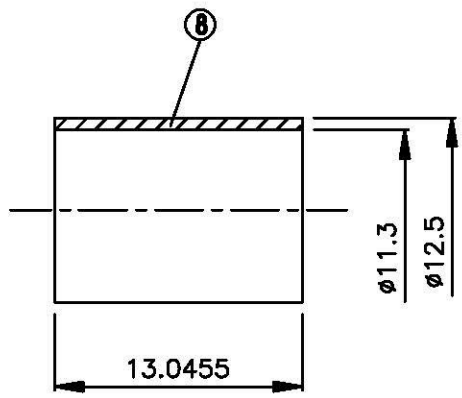
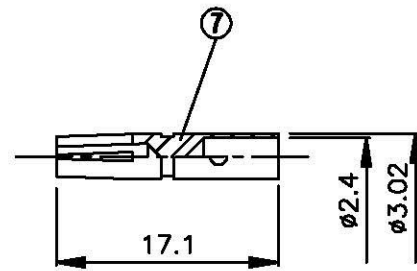
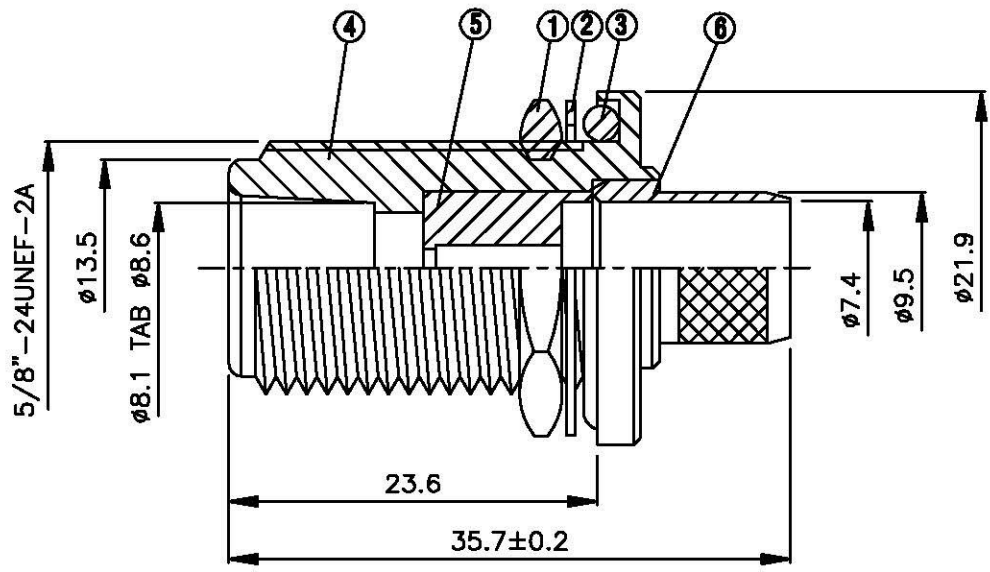
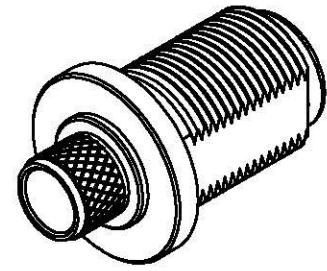
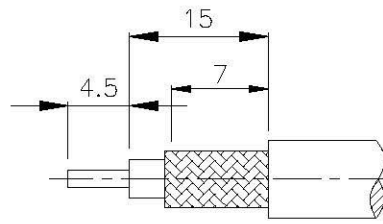


NO	DESCRIPTION	MATERIAL	Q'TY	FINISH	REMARK
1	NUT	BRASS	1	NICKEL	N-0007-N
2	WASHER	BRASS	1	NICKEL	W-0005-N
3	GASKET	SI RUBBER	1	RUBBER	RU-0009
4	BODY	BRASS	1	NICKEL	B-N0049-N
5	INSULATION	TEFLON	1	TEFLON	I-0118T
6	BODY	BRASS	1	NICKEL	B-N0050-N
7	PIN	BRASS	1	GOLD	P-N0042-G
8	RING	BRASS	1	TEFLON	R-0010-N



All Connectors
 www.allconnectors.de info@allconnectors.de
 Tel: +49 51 309693 Fax: +49 51 309694
 70721 Pilsdorf - Germany Kettnerstr. 23

TITLE N FEMALE CRIMP FOR RG213U
PART NO. N-32BV1-TGN
DRAWING NO. N 32BV1 TGN

DRAWN MARY **DATE** 96.06.04
CHECKED 蘇志欣 **DATE**
Q.A. 蘇姿潔 **DATE**
APPROVAL 徐燦霖 **DATE**
REVISION **DATE**

DIMENSIONS ARE IN MILLIMETERS
UNLESS OTHERWISE SPECIFIED TOLERANCE
 0.5-5=±0.2 120-315=±1
 5-30=±0.4 315-1000=±1.6
 30-120±0.6 1000-2000=±2.4
SCALE 4:1 **SIZE** A

REVISION	
DESCRIPTION	ENGINEER