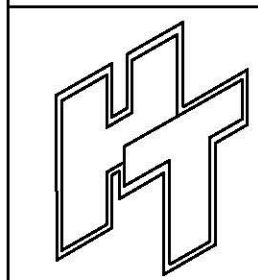
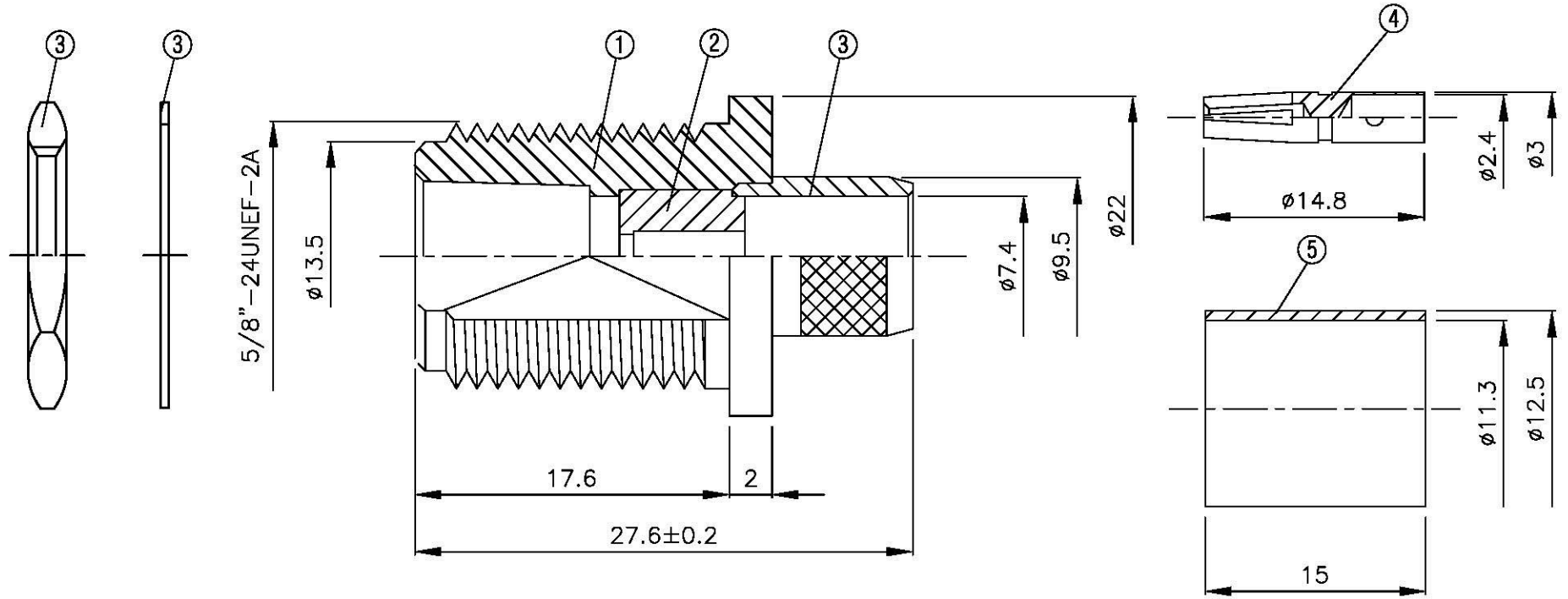
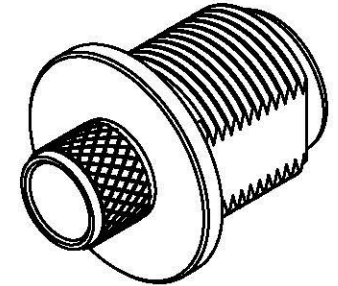
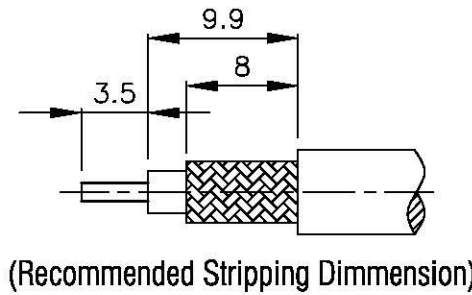


NO	DESCRIPTION	MATERIAL	Q'TY	FINISH	REMARK
1	BODY 1	BRASS	1	NICKEL	B-N0058-N
2	INSULATION	TEFLON	1	TEFLON	I-0125T
3	BODY 2	BRASS	1	NICKEL	B-N0059-N
4	PIN	BRASS	1	GOLD	P-N0055-G
5	RING	BRASS	1	NICKEL	R-0010-N
6	PIN	BRASS	1	GOLD	P-N0055-G
7	RING	BRASS	1	NICKEL	R-0010-N



Allconnectors
 www.allconnectors.de
 Tel: +49 44 711 700900
 30 754 Hildesheim, Germany
 info@allconnectors.de
 Fax: +49 44 711 700904
 info@connectors.de

TITLE **N FEMALE CRIMP FOR RG 213U**

PART NO. **N-32B-TGN**

DRAWING NO. **N 32B TGN**

DRAWN	MARY	DATE	96.07.12
CHECKED	蘇志欣	DATE	
Q.A.	蘇姿潔	DATE	
APPROVAL	徐燦霖	DATE	
REVISION		DATE	

DIMENSIONS ARE IN MILLIMETERS			
UNLESS OTHERWISE SPECIFIED TOLERANCE			
0.5-5=±0.2	120-315=±1		
5-30=±0.4	315-1000=±1.6		
30-120±0.6	1000-2000=±2.4		
SCALE	4:1	SIZE	A

REVISION	
DESCRIPTION	ENGINEER