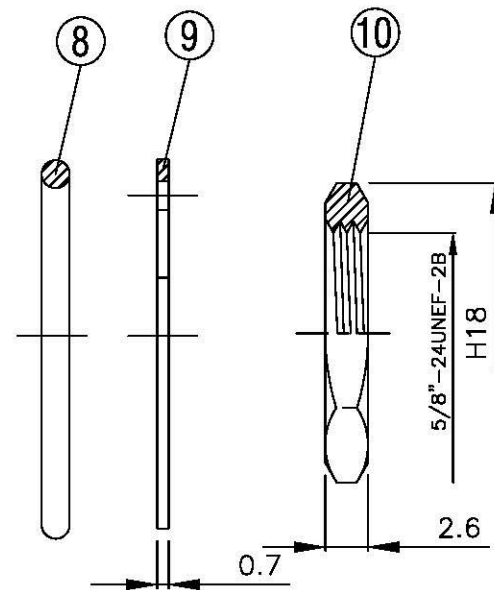
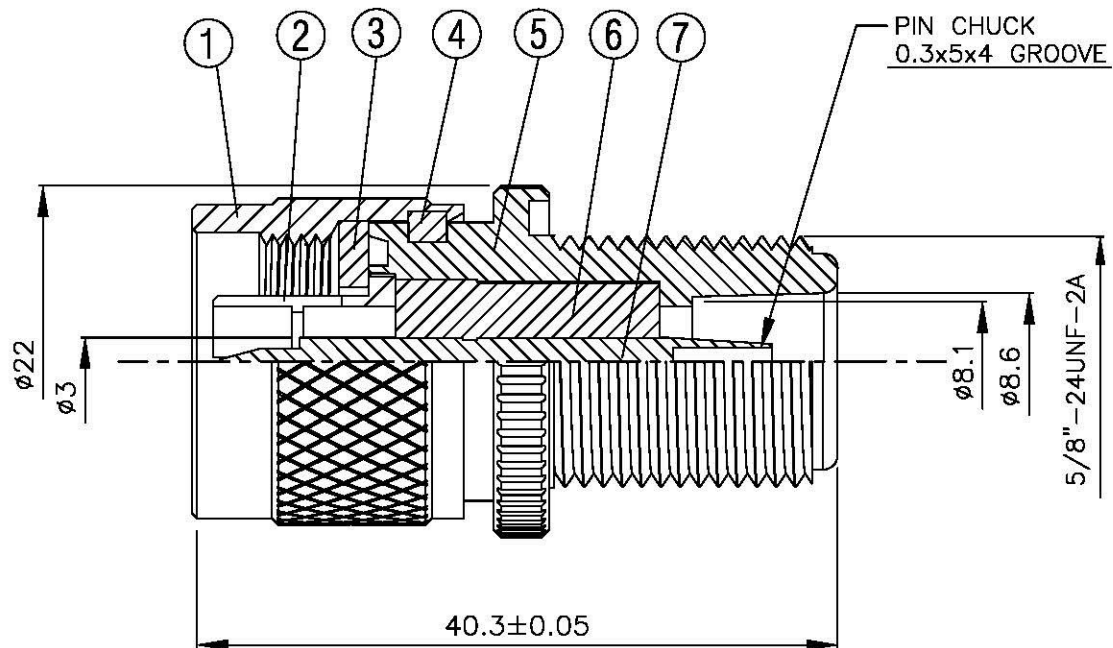
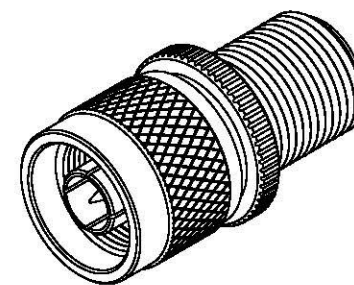


NO	DESCRIPTION	MATERIAL	Q'TY	FINISH	REMARK
1	BODY 1	BRASS	1	NICKEL	B-N0032
2	BODY 2	BRASS	1	NICKEL	B-N0033
3	GASKET	SI RUBBER	1	RUBBER	RU-0007
4	WASHER 3	PH.BRONZE	1	NICKLE	W-0014
5	BODY 3	BRASS	1	NICKEL	B-N1195-N
6	INSULATION	TEFLON	1	TEFLON	I-0582T
7	PIN	BRASS	1	GOLD	P-N0853-G
8	GASKET	SI RUBBER	1	RUBBER	RU-0009
9	WASHER	BRASS	1	NICKEL	W-0005-N
10	NUT	BRASS	1	NICKEL	N-0007-N



	<b>All Connectors</b> <small>www.allconnectors.de Tel.: 0049 711 7002500 70774 Filberstadt - Germany</small> <small>info@allconnectors.de Fax: 0049 711 7002504 Kettnerstr. 25</small>	DRAWN MARY DATE 96.06.26	DIMENSIONS ARE IN MILLIMETERS		REVISION	
		CHECKED 蘇志欣 DATE	UNLESS OTHERWISE SPECIFIED TOLERANCE		DESCRIPTION	ENGINEER
		Q.A. 蘇姿潔 DATE	$0.5-5 = \pm 0.2$	$120-315 = \pm 1$		
		APPROVAL 徐燦霖 DATE	$5-30 = \pm 0.4$	$315-1000 = \pm 1.6$		
		REVISION DATE	$30-120 \pm 0.6$	$1000-2000 = \pm 2.4$		
TITLE <b>N MALE -N FEMALE ADAPTOR</b>	PART NO. <b>N-26V4-TGN</b>	SCALE 4:1	SIZE A			
DRAWING NO. <b>N 26V4 TGN</b>						