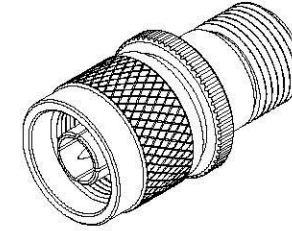


NO	DESCRIPTION	MATERIAL	Q'TY	FINISH	REMARK
1	BODY 1	BRASS	1	NICKEL	B-N0032
2	BODY 2	BRASS	1	NICKEL	B-N0033
3	GASKET	SI RUBBER	1	RUBBER	RU-0007
4	WASHER 3	PH.BRONZE	1	NICKLE	W-0014
5	BODY 3	BRASS	1	NICKEL	B-N1195-N
6	INSULATION	TEFLON	1	TEFLON	I-0107T
7	PIN	BRASS	1	GOLD	P-N0854-G



D

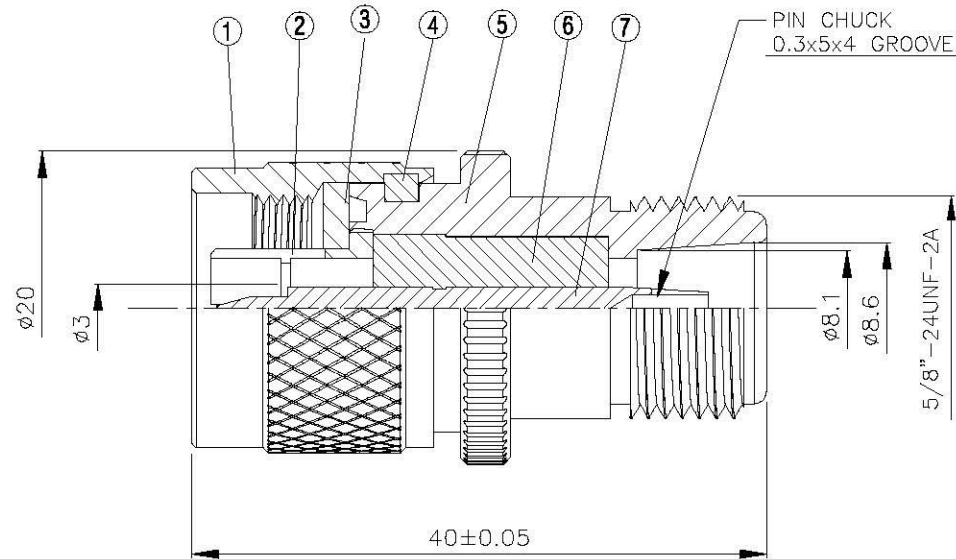
D

C

C

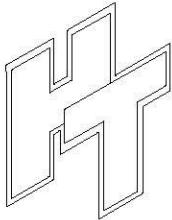
B

B



A

A



**All Connectors**

www.allconnectors.de  
TEL: 0049 711 2079105  
40794 Hildesfeldt Germany

info@allconnectors.de  
Fax: 0049 711 2079174  
Kottb. mstr. 25

TITLE **N MALE -N FEMALE ADAPTOR**

PART NO. **N-26-TGN**

DRAWING NO. **N 26 TGN**

DRAWN **MARY** DATE **96.06.26**

CHECKED **蘇志欣** DATE

Q.A. **蘇姿潔** DATE

APPROVAL **徐慶霖** DATE

REVISION DATE

DIMENSIONS ARE IN MILLIMETERS

UNLESS OTHERWISE SPECIFIED TOLERANCE

0.5-5=±0.2	120-315=±1
5-30=±0.4	315-1000=±1.6
30-120=±0.6	1000-2000=±2.4

SCALE **4:1** SIZE **A**

REVISION

DESCRIPTION	ENGINEER

4

3

2

1