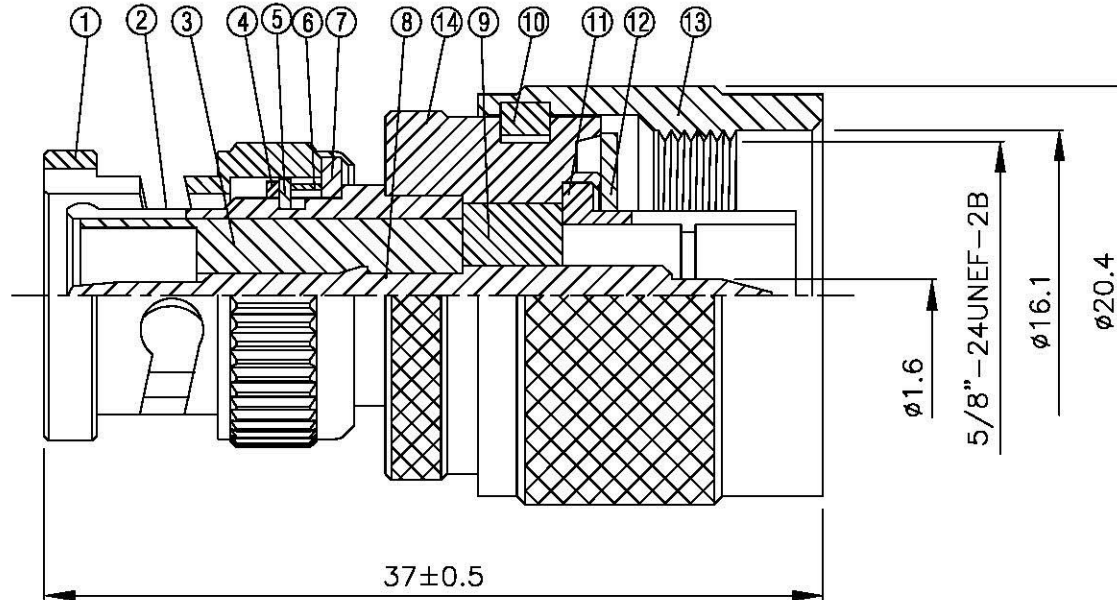
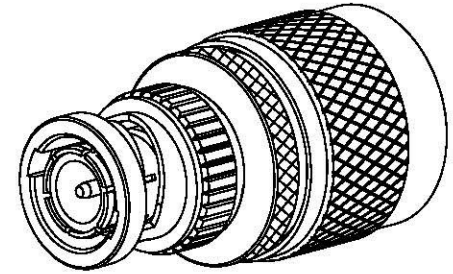


NO	DESCRIPTION	MATERIAL	Q'TY	FINISH	REMARK
1	BODY 1	BRASS	1	NICKEL	B-BNC0184-N
2	BODY 2	BRASS	1	NICKEL	B-BNC0605-N
3	INSULATION	TEFLON	1	TEFLON	I-0282T
4	GASKET	SI RUBBER	1	RUBBER	RU-0010
5	WASHER 1	BRASS	1	NICKEL	W-0026-N
6	SPRING	BRASS	1	NICKLE	W-0027-N
7	WASHER 2	BRASS	1	NICKEL	W-0025-N
8	PIN	BRASS	1	GOLD	P-BNC0395-G
9	INSULATION	TEFLON	1	TEFLON	I-0283T
10	WASHER 3	PH.BRONZE	1	NICKLE	W-0014
11	BODY 3	BRASS	1	NICKEL	B-N0033-N
12	GASKET	SI RUBBER	1	RUBBER	RU-0007
13	BODY 4	BRASS	1	NICKEL	B-N0032-N
14	BODY 5	BRASS	1	NICKEL	B-N0606-N



			DRAWN MARY DATE 96.06.04	DIMENSIONS ARE IN MILLIMETERS		REVISION	
	<small>www.allconnectors.de info@allconnectors.de www.allconnectors.com</small>		CHECKED 蘇志欣 DATE	UNLESS OTHERWISE SPECIFIED TOLERANCE		DESCRIPTION	ENGINEER
	TITLE BNC MALE - N MALE ADAPTOR		Q.A. 蘇姿潔 DATE	0.5-5=±0.2	120-315=±1		
	PART NO. N-25-TGN		APPROVAL 徐燦霖 DATE	5-30=±0.4	315-1000=±1.6		
	DRAWING NO. N 25 TGN		REVISION DATE	30-120±0.6	1000-2000=±2.4		
			SCALE 4:1	SIZE A			