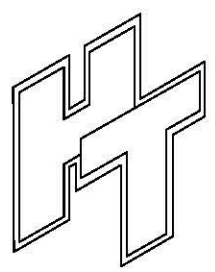
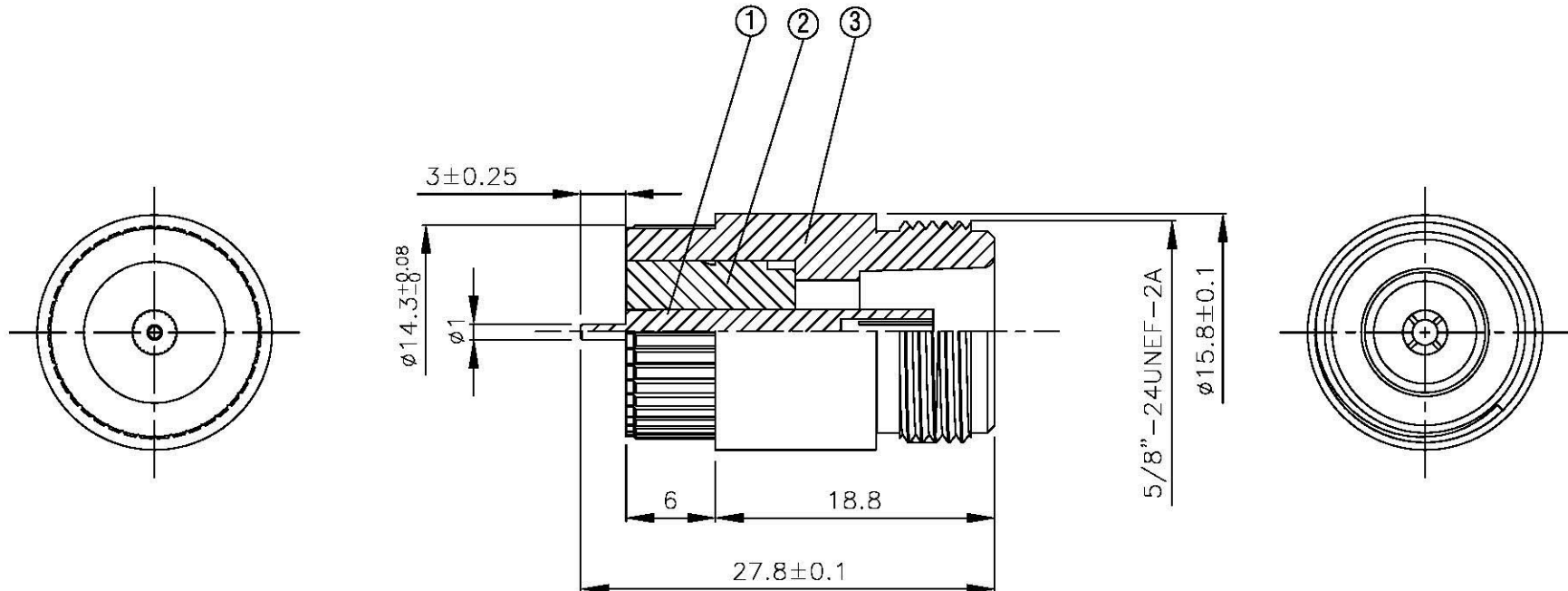
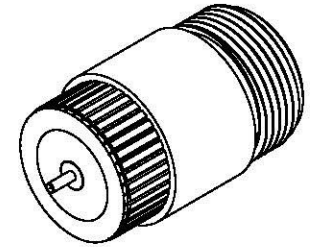


NO	DESCRIPTION	MATERIAL	Q'TY	FINISH	REMARK
1	PIN	BE CU	1	GOLD	P-N0508-G
2	INSULATION 1	TEFLON	1	TEFLON	I-0314T
3	BODY	BRASS	1	C.T.Z.	B-N1274-M



All Connectors
 www.allconnectors.de
 info@allconnectors.de
 70754 Filzschloß Germany

TITLE N FEMALE FOR EC50
PART NO. N-23V4-TGM
DRAWING NO. N-23V4-TGM

DRAWN MARY
CHECKED 蘇志欣
Q.A. 蘇姿潔
APPROVAL 徐燦霖
REVISION

DATE 96.06.04
DATE
DATE
DATE

DIMENSIONS ARE IN MILLIMETERS

UNLESS OTHERWISE SPECIFIED TOLERANCE

0.5-5 = ±0.2	120-315 = ±1
5-30 = ±0.4	315-1000 = ±1.6
30-120 = ±0.6	1000-2000 = ±2.4

SCALE 4:1 **SIZE** A

REVISION	
DESCRIPTION	ENGINEER