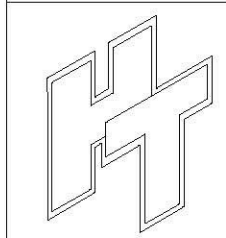
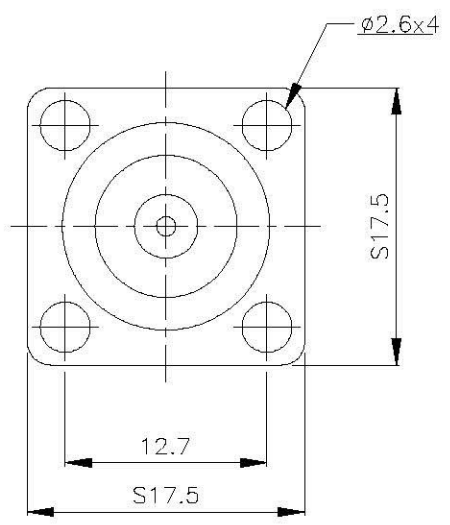
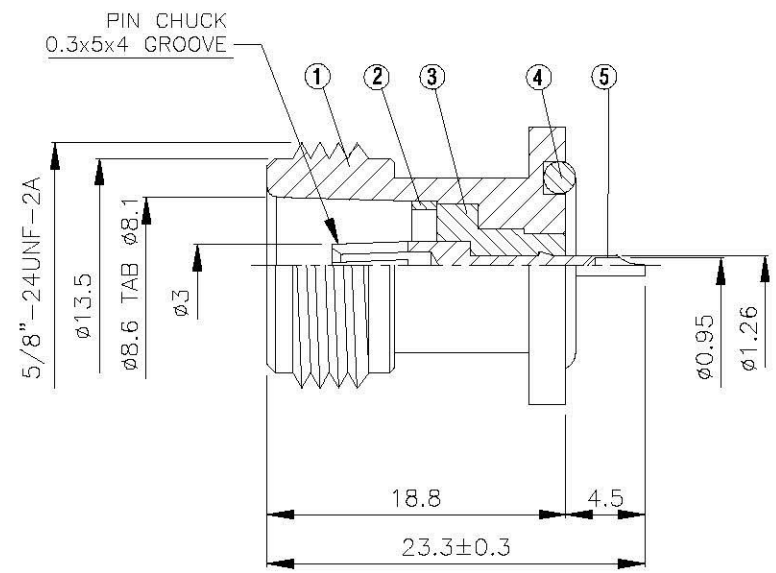
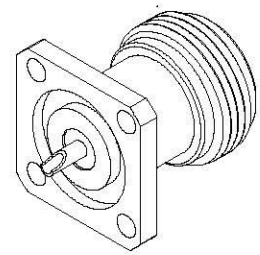


NO	DESCRIPTION	MATERIAL	Q'TY	FINISH	REMARK
1	BODY	BRASS	1	NICKEL	B-N0403-N
2	WASHER	BRASS	1	NICKEL	W-0036-N
3	INSULATION	TEFLON	1	TEFLON	I-0301T
4	GASKET	SI RUBBER	1	RUBBER	RU-0016
5	PIN	BRASS	1	GOLD	P-N0168-G



**All Connectors**  
www.allconnectors.com info@allconnectors.com  
 11611 60751 211 2002860 11611 60751 211 2002860  
 707741 Filders Road - Queensland Kallaroo QLD 4705

TITLE **N PANEL FEMALE RECEPTACLE**

PART NO. **N-22V7-TGN**

DRAWING NO. **N 22V7 TGN**

DRAWN **MARY** DATE **98.06.04**

CHECKED **蘇志欣** DATE

Q.A. **蘇姿潔** DATE

APPROVAL **徐燦霖** DATE

REVISION DATE

DIMENSIONS ARE IN MILLIMETERS

UNLESS OTHERWISE SPECIFIED TOLERANCE

0.5-5=±0.2	120-315=±1
5-30=±0.4	315-1000=±1.6
30-120=±0.6	1000-2000=±2.4

SCALE **4:1** SIZE **A**

REVISION	
DESCRIPTION	ENGINEER