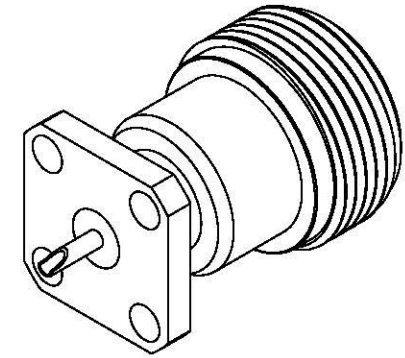
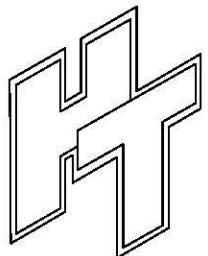
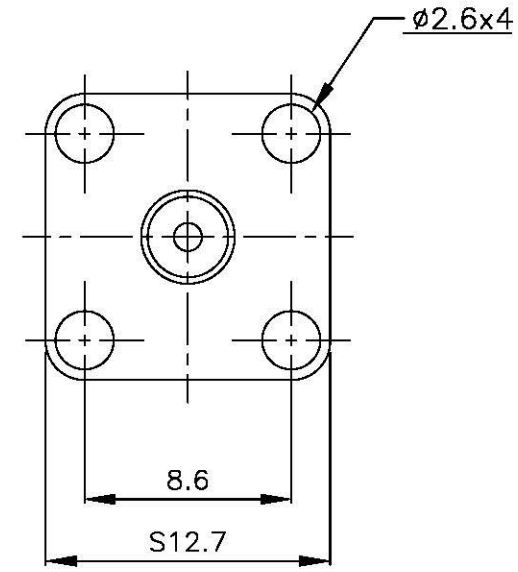
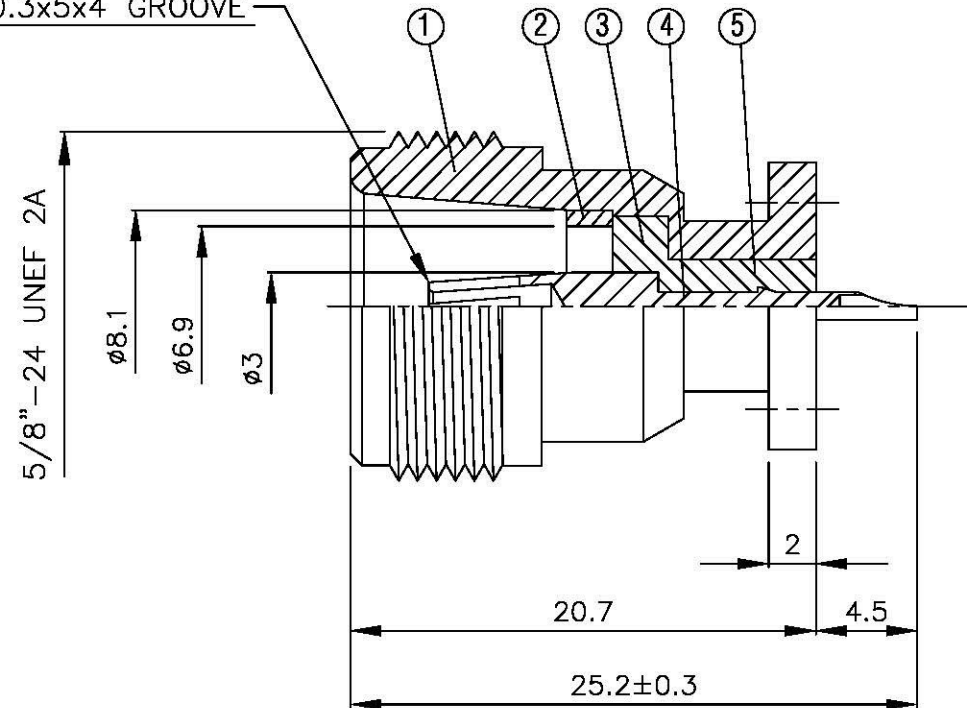


NO	DESCRIPTION	MATERIAL	Q'TY	FINISH	REMARK
1	BODY	BRASS	1	NICKEL	B-N0281-N
2	WASHER	BRASS	1	NICKEL	W-0036-N
3	INSULATION	TEFLON	1	TEFLON	I-0301T
4	PIN	BRASS	1	GOLD	P-N0168-G



PIN CHUCK
0.3x5x4 GROOVE



All Connectors
www.allconnectors.de
Tel.: 0049 711 7009503
70704 Filderstadt - Germany
info@allconnectors.de
Fax: 0049 711 7009504
Kettelerstr. 25

TITLE
N PANEL FEMALE RECEPTACLE

PART NO.
N-22V6-TGN

DRAWING NO.
N 22V6 TGN

DRAWN	MARY	DATE	96.06.04
CHECKED	蘇志欣	DATE	
Q.A.	蘇姿潔	DATE	
APPROVAL	徐燦霖	DATE	
REVISION		DATE	

DIMENSIONS ARE IN MILLIMETERS

UNLESS OTHERWISE SPECIFIED TOLERANCE

0.5-5=±0.2	120-315=±1
5-30=±0.4	315-1000=±1.6
30-120=±0.6	1000-2000=±2.4

SCALE 4:1 SIZE A

REVISION	
DESCRIPTION	ENGINEER