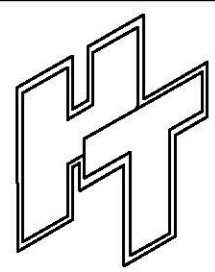
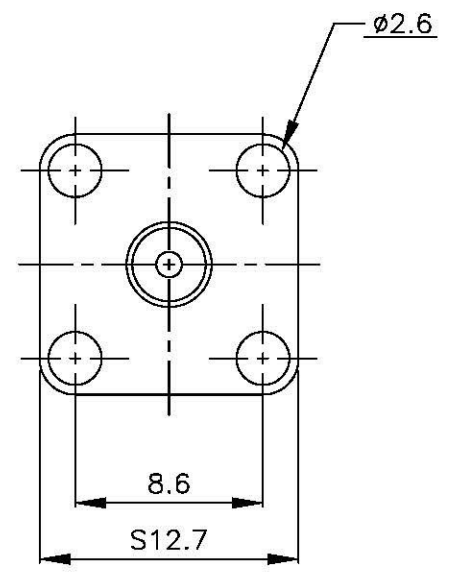
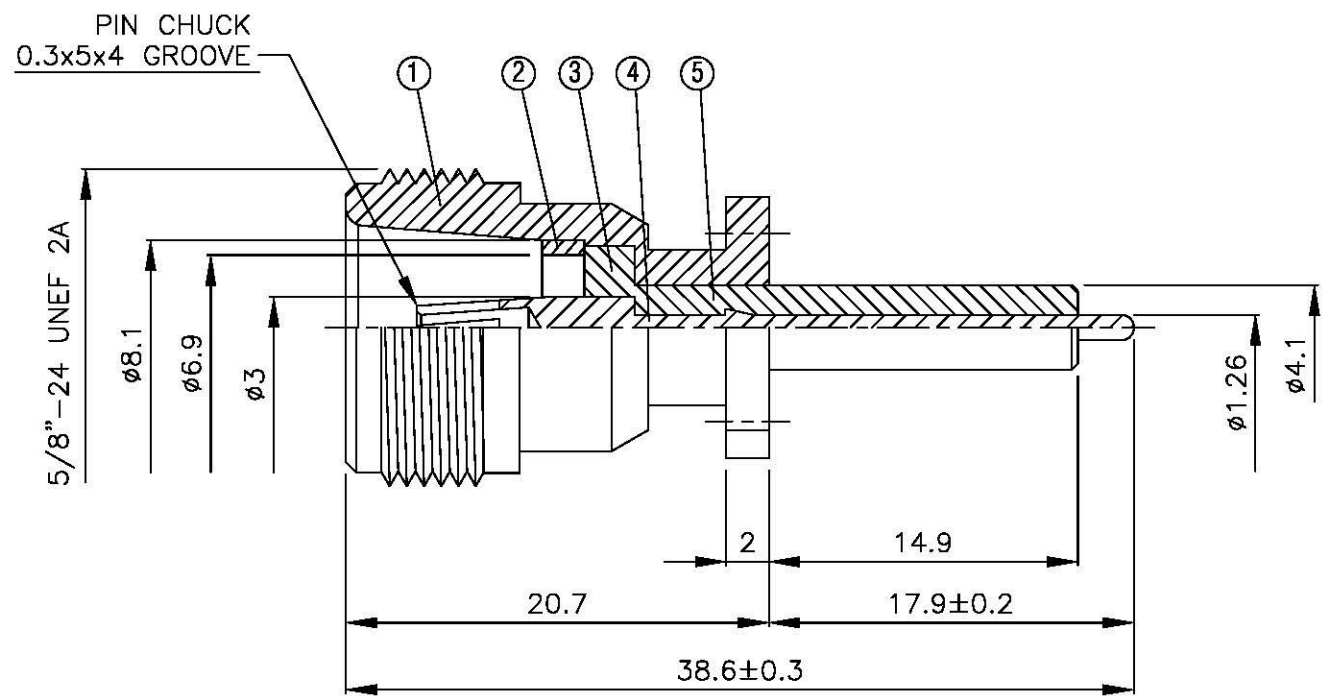
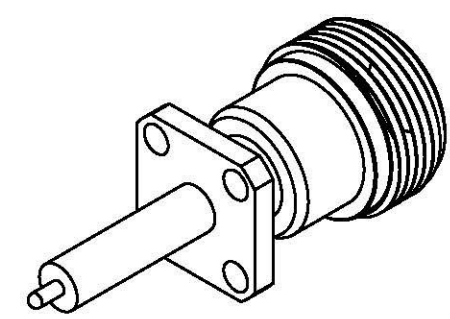


NO	DESCRIPTION	MATERIAL	Q'TY	FINISH	REMARK
1	BODY	BRASS	1	NICKEL	B-N0281-N
2	WASHER	BRASS	1	NICKEL	W-0036-N
3	INSULATION	TEFLON	1	TEFLON	I-0300T
4	PIN	BRASS	1	GOLD	P-N0164-G



All Connectors
 www.allconnectors.de
 Tel.: 0049 711 7008508
 70794 Filderstadt - Germany
 info@allconnectors.de
 Fax: 0049 711 7008504
 Kettm. Andr. 25

TITLE: N PANEL FEMALE RECEPTACLE
 PART NO.: N-22V5-TGN
 DRAWING NO.: N 22V5 TGN

DRAWN: MARY DATE: 96.06.04
 CHECKED: 蘇志欣 DATE:
 Q.A.: 蘇姿潔 DATE:
 APPROVAL: 徐燦霖 DATE:
 REVISION: DATE:

DIMENSIONS ARE IN MILLIMETERS
 UNLESS OTHERWISE SPECIFIED TOLERANCE
 0.5-5=±0.2 120-315=±1
 5-30=±0.4 315-1000=±1.6
 30-120=±0.6 1000-2000=±2.4
 SCALE: 4:1 SIZE: A

REVISION	
DESCRIPTION	ENGINEER