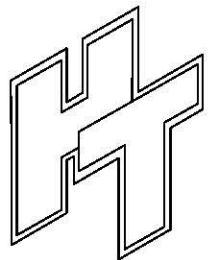
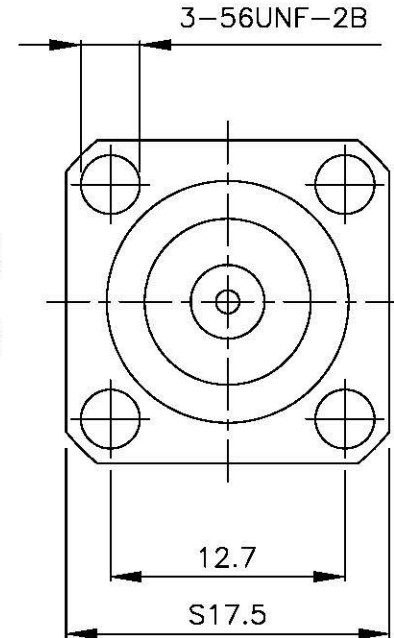
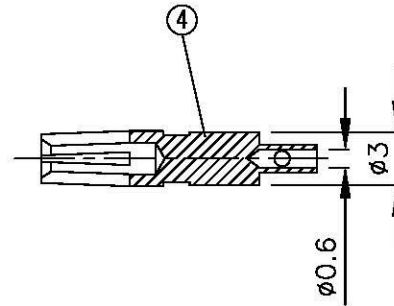
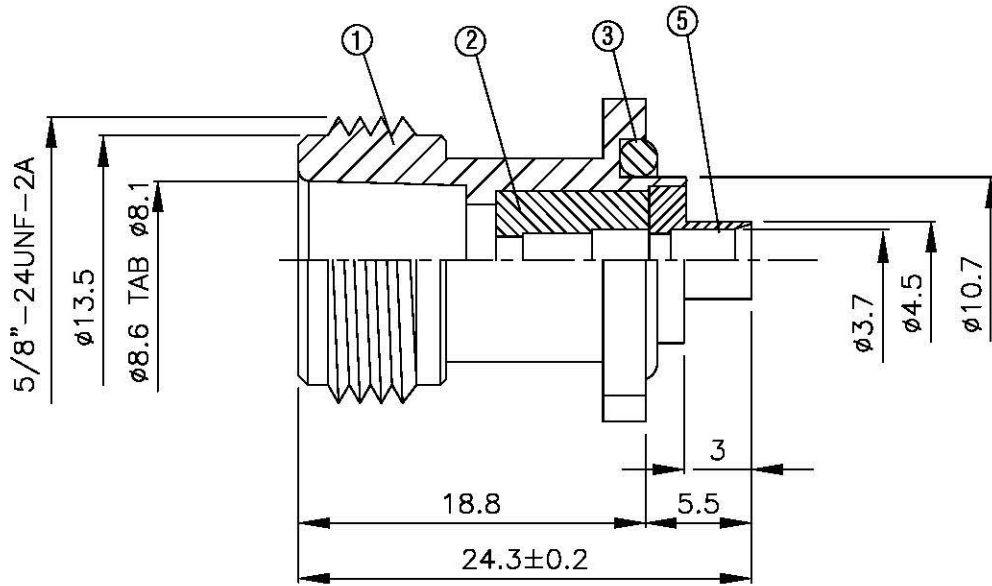
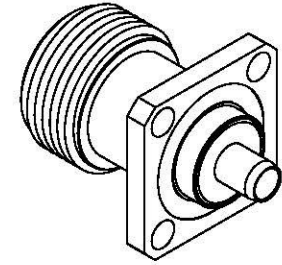
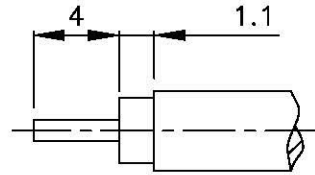


NO	DESCRIPTION	MATERIAL	Q'TY	FINISH	REMARK
	BODY	BRASS	1	NICKEL	B-N1033-N
2	INSULATION 1	TEFLON	1	TEFLON	I-0504T
3	GASKET	SI RUBBER	1	RUBBER	RU-0042
4	PIN (FEMALE)	BRASS	1	GOLD	P-N0716-G
5	BODY	BRASS	1	GOLD	B-N1034-N



**All Connectors**

www.allconnectors.de  
info@allconnectors.de  
70794 Ellersdorf, Germany

TITLE N PANEL FEMALE RECEPTACLE  
SOLDER RG-402 (.141)

PART NO. N-22V2-TGN-3

DRAWING NO. N-22V2-TGN-3

DRAWN MARY DATE 94.10.10

CHECKED 沈佳憶 DATE 94.10.10

Q.A. 蘇姿潔 DATE

APPROVAL 徐燦霖 DATE

REVISION DATE

DIMENSIONS ARE IN MILLIMETERS

UNLESS OTHERWISE SPECIFIED  
TOLERANCE  
0.5-5=±0.2 120-315=±1  
5-30=±0.4 315-1000=±1.6  
30-120±0.6 1000-2000=±2.4

SCALE 4:1 SIZE A

REVISION

DESCRIPTION ENGINEER

D

C

B

A

D

C

B

A

4

3

2

1