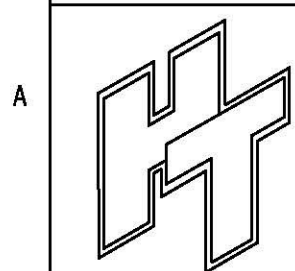
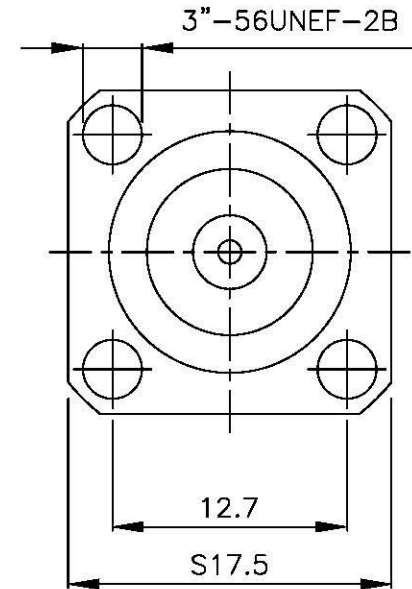
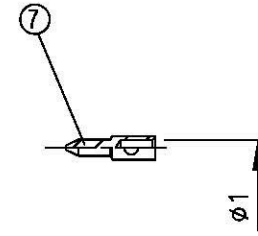
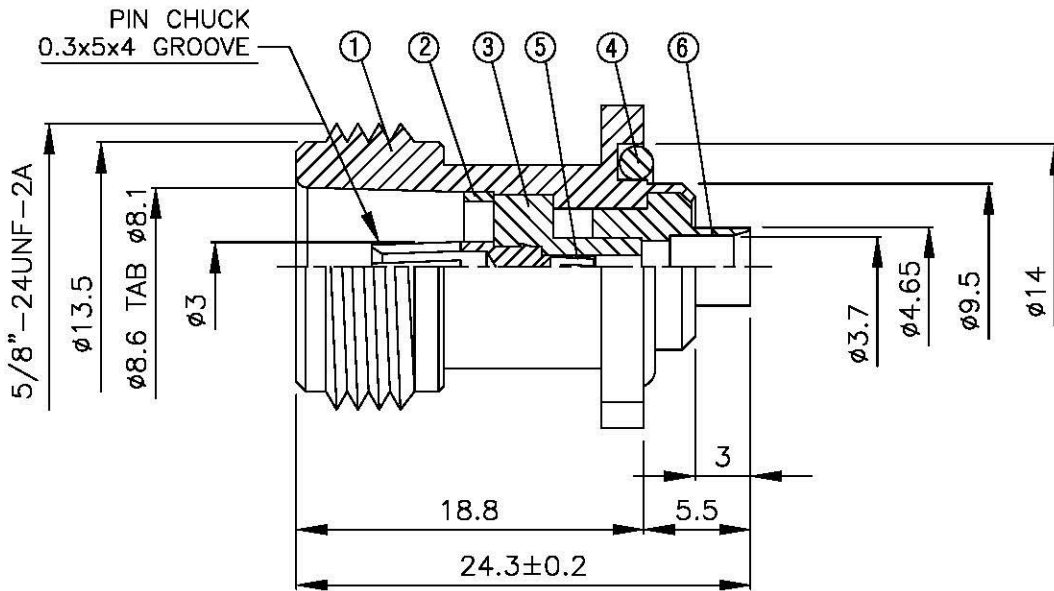
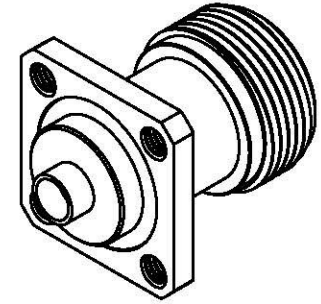
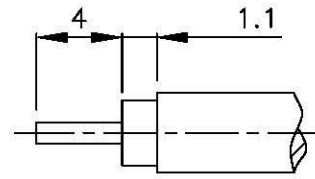


NO	DESCRIPTION	MATERIAL	Q'TY	FINISH	REMARK
1	BODY	BRASS	1	NICKEL	B-N0791-N
2	WASHER	BRASS	1	NICKEL	W-0036-N
3	INSULATION 1	TEFLON	1	TEFLON	I-0379T
4	GASKET	SI RUBBER	1	RUBBER	RU-0042
5	PIN (FEMALE)	BRASS	1	GOLD	P-N0552-G
6	BODY	BRASS	1	GOLD	B-N0998-G
7	PIN (MALE)	BRASS	1	GOLD	P-FME0708-G



All Connectors

www.allconnectors.de
Tel: +49 45 711 709500
info@allconnectors.de
Fax: +49 45 711 709504
Königsplatz 22

TITLE N PANEL FEMALE RECEPTACLE
SOLDER RG-402 (.141)

PART NO. N-22V2-TGN-1

DRAWING NO. N-22V2-TGN-1

DRAWN MARY DATE 93.09.30

CHECKED 蘇姿潔 DATE

Q.A. 馮健華 DATE

APPROVAL 徐燦霖 DATE

REVISION DATE

DIMENSIONS ARE IN MILLIMETERS

UNLESS OTHERWISE SPECIFIED
TOLERANCE

0.5-5=±0.2	120-315=±1
5-30=±0.4	315-1000=±1.6
30-120±0.6	1000-2000=±2.4

SCALE 4:1 SIZE A

REVISION

DESCRIPTION	ENGINEER