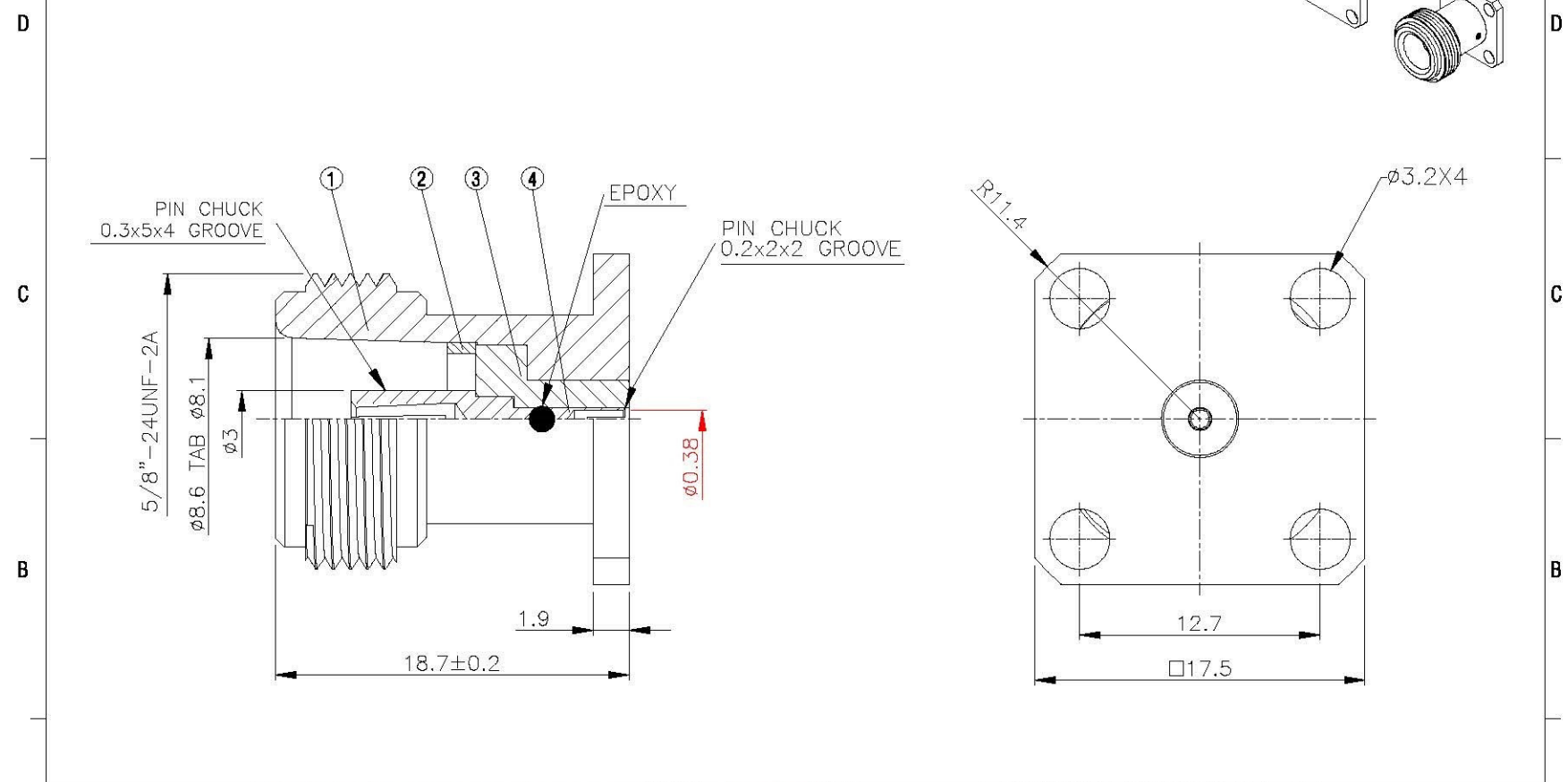
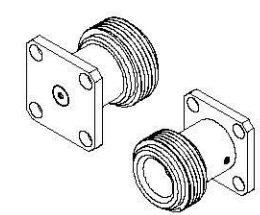


NO	DESCRIPTION	MATERIAL	Q'TY	FINISH	REMARK
1	BODY	BRASS	1	NICKEL	B-N1340-N
2	WASHER	BRASS	1	NICKEL	W-0036-N
3	INSULATION	TEFLON	1	TEFLON	I-0631T
4	PIN	BRASS	1	GOLD	P-N0931-G



		DRAWN	蘇志欣	DATE	97.10.29	DIMENSIONS ARE IN MILLIMETERS		REVISION		
	<small>www.allconnectors.com Tel: 0049 741 306904 30754 Pilsenstr. - Germany</small>	CHECKED	蘇姿潔	DATE		UNLESS OTHERWISE SPECIFIED TOLERANCE		DESCRIPTION	ENGINEER	
	<small>info@allconnectors.com Fax: 0049 741 306904 catharina@allconnectors.com</small>	Q.A.	林妙樺	DATE		0.5-5=±0.2	120-315=±1			
	TITLE	N JACK FLANGE MOUNT (ACCEPTS PIN $\phi 0.38$)	APPROVAL	徐燦霖	DATE		5-30=±0.4	315-1000=±1.6		
	PART NO.	N-22V12-TGN	REVISION		DATE		30-120=±0.6	1000-2000=±2.4		
DRAWING NO.	N-22V12-TGN					SCALE	4:1	SIZE	A	

4 3 2 1