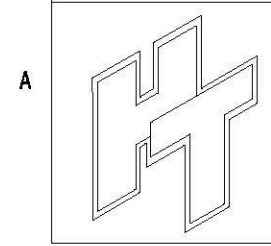
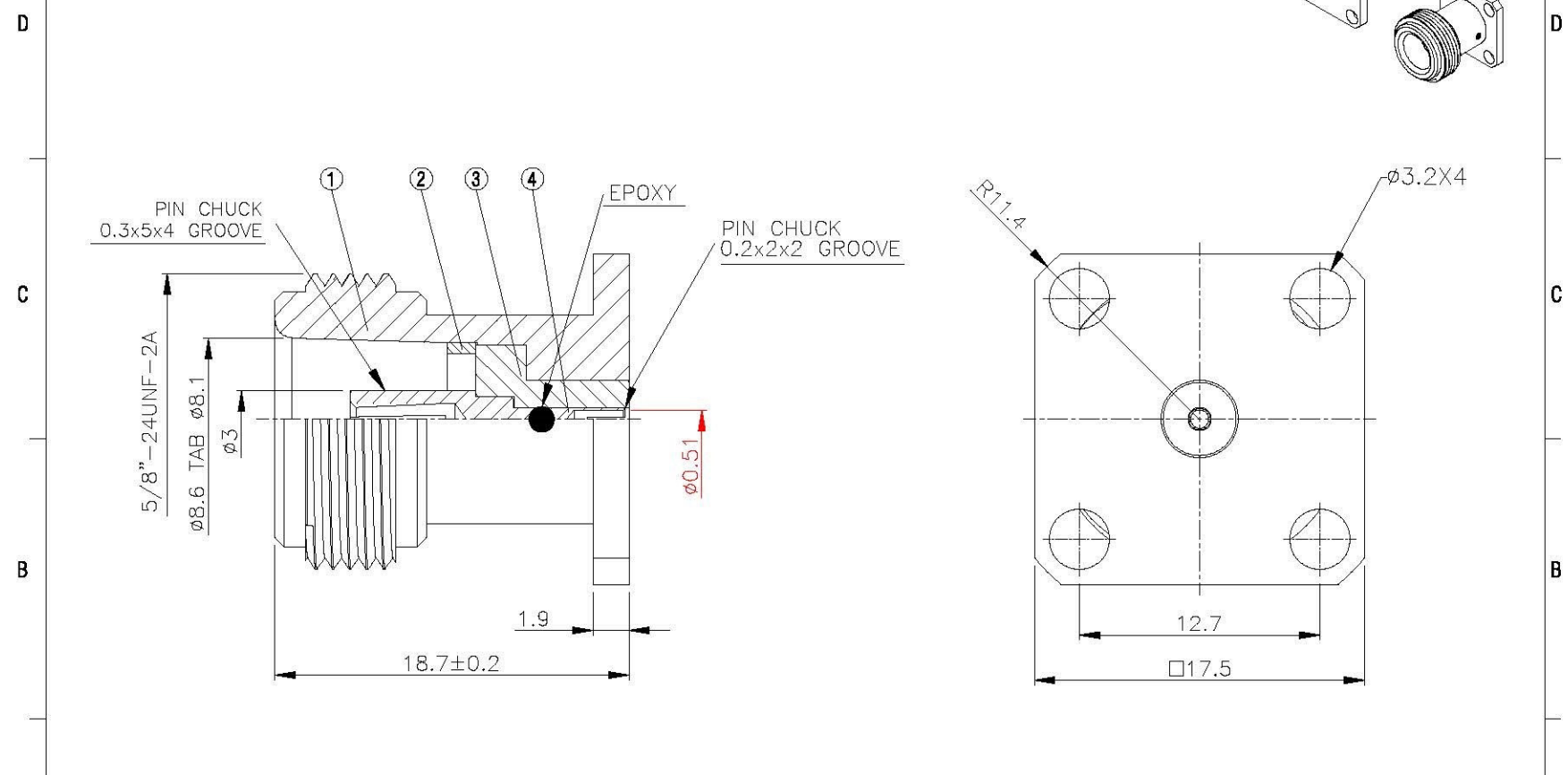
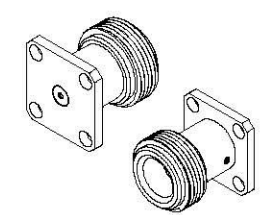


NO	DESCRIPTION	MATERIAL	Q'TY	FINISH	REMARK
1	BODY	BRASS	1	NICKEL	B-N1340-N
2	WASHER	BRASS	1	NICKEL	W-0036-N
3	INSULATION	TEFLON	1	TEFLON	I-0631T
4	PIN	BRASS	1	GOLD	P-N0930-G



All Connectors
 www.allconnectors.de
 Tel.: 0049 711 900960
 info@allconnectors.de
 Fax: 0049 711 900904
 info@allconnectors.de
 Kettweg 10, 70372 Stuttgart, Germany

TITLE N JACK FLANGE MOUNT
 (ACCEPTS PIN $\phi 0.51$)

PART NO. N-22V11-TGN

DRAWING NO. N-22V11-TGN

DRAWN 蘇志欣 **DATE** 97.10.29

CHECKED 蘇姿潔 **DATE**

Q.A. 林妙樺 **DATE**

APPROVAL 徐燦霖 **DATE**

REVISION **DATE**

DIMENSIONS ARE IN MILLIMETERS

UNLESS OTHERWISE SPECIFIED TOLERANCE

0.5-5=±0.2	120-315=±1
5-30=±0.4	315-1000=±1.6
30-120=±0.6	1000-2000=±2.4

SCALE 4:1 **SIZE** A

REVISION	
DESCRIPTION	ENGINEER