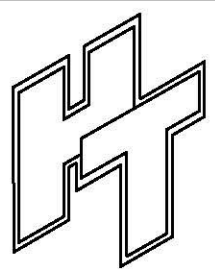
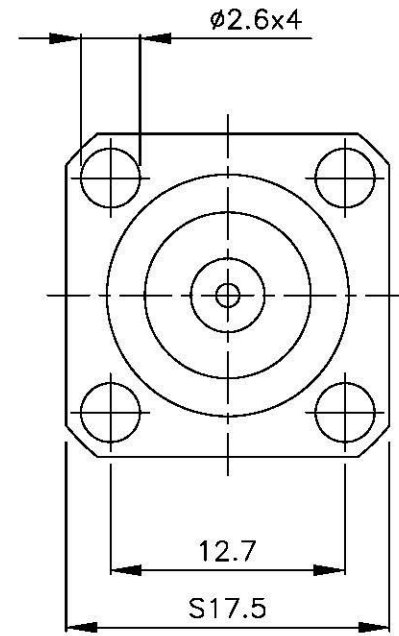
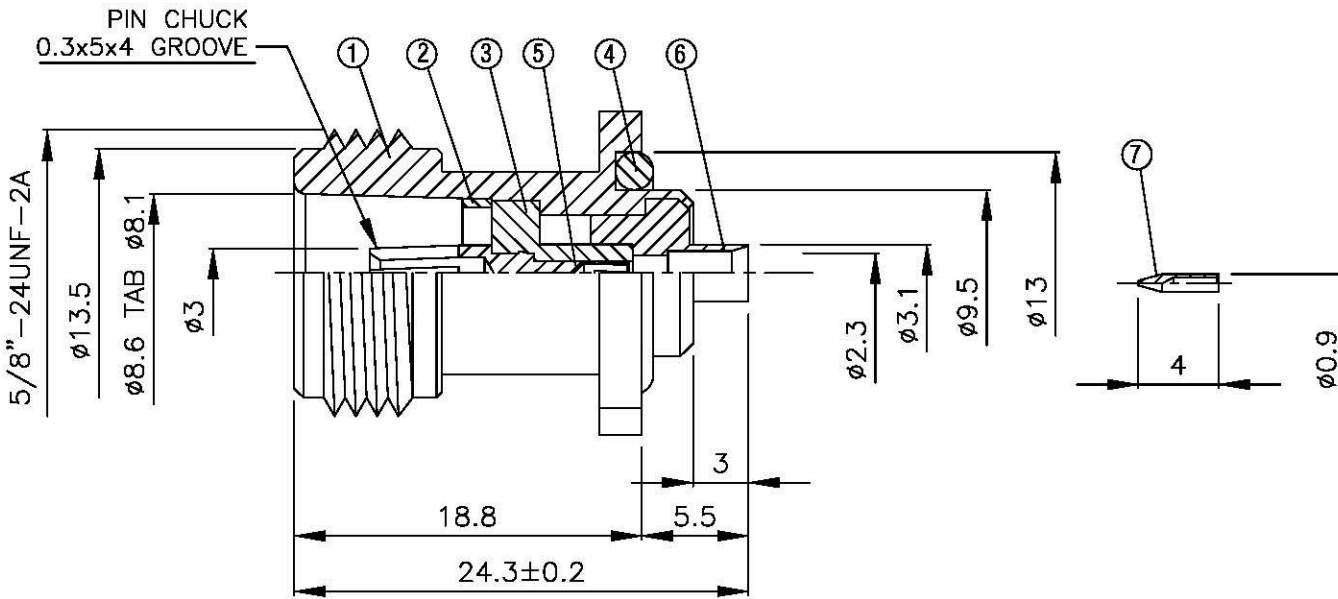
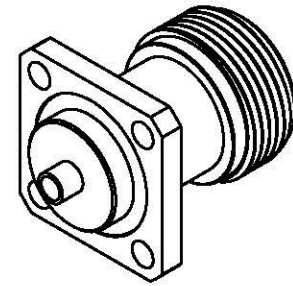


NO	DESCRIPTION	MATERIAL	Q'TY	FINISH
1	BODY	BRASS	1	NICKEL
2	WASHER	BRASS	1	NICKEL
3	INSULATION 1	TEFLON	1	TEFLON
4	GASKET	SI RUBBER	1	RUBBER
5	PIN (FEMALE)	BRASS	1	GOLD
6	BODY	BRASS	1	GOLD
7	PIN (MALE)	BRASS	1	GOLD



All Connectors
 www.allconnectors.com info@allconnectors.com
 Tel: 0049 711 7009505 Fax: 0049 711 7009504
 70724 Filderstadt - Germany Kettlerstr. 25

TITLE N PANEL FEMALE RECEPTACLE
 SOLDER RG-405 (.085)

PART NO. N-22V1-TGN

DRAWING NO. N 22V1 TGN

DRAWN MARY DATE 96.06.11

CHECKED 蘇志欣 DATE

Q.A. 蘇姿潔 DATE

APPROVAL 徐燦霖 DATE

REVISION DATE

DIMENSIONS ARE IN MILLIMETERS

UNLESS OTHERWISE SPECIFIED TOLERANCE

0.5-5 = ±0.2	120-315 = ±1
5-30 = ±0.4	315-1000 = ±1.6
30-120 ±0.6	1000-2000 = ±2.4

SCALE 4:1 SIZE A

REVISION	
DESCRIPTION	ENGINEER