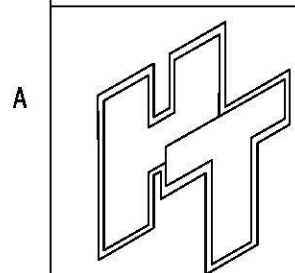
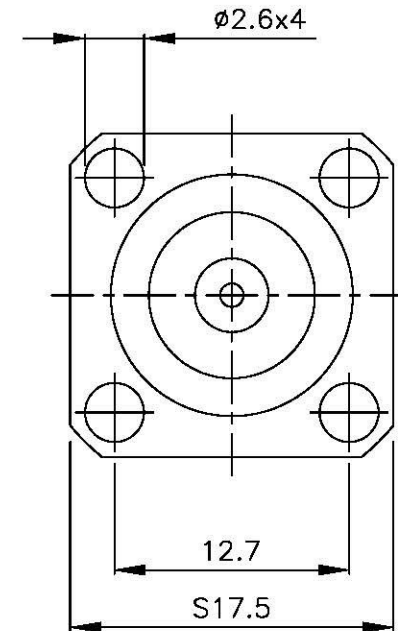
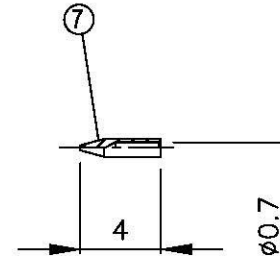
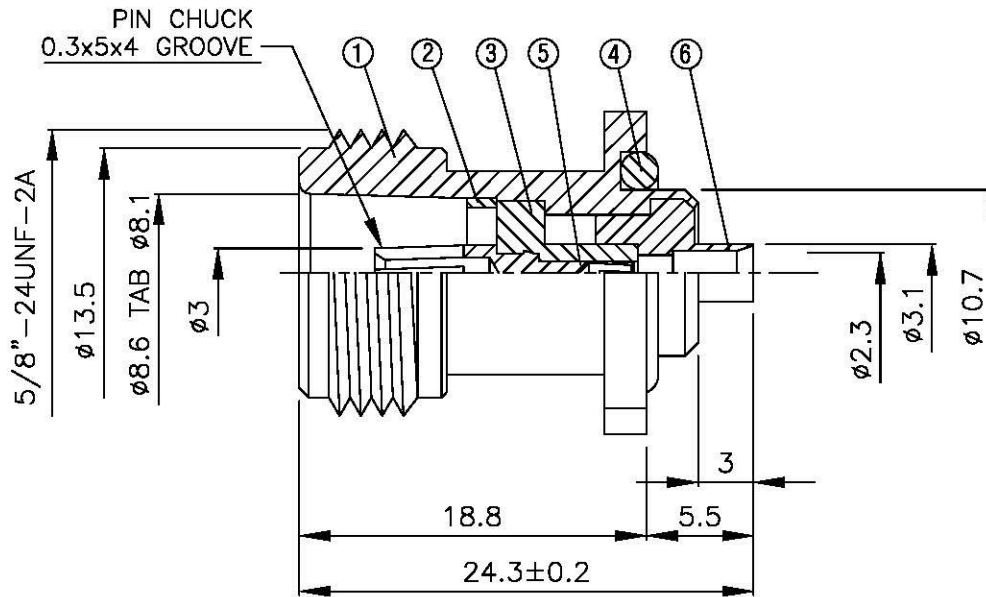
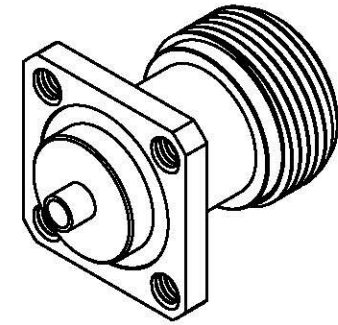
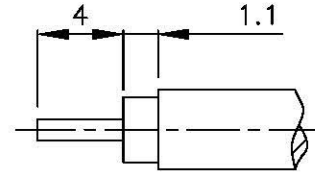


NO	DESCRIPTION	MATERIAL	Q'TY	FINISH	REMARK
1	BODY	BRASS	1	NICKEL	B-N0791-N
2	WASHER	BRASS	1	NICKEL	W-0036-N
3	INSULATION 1	TEFLON	1	TEFLON	I-0379T
4	GASKET	SI RUBBER	1	RUBBER	RU-0016
5	PIN (FEMALE)	BRASS	1	GOLD	P-N0552-G
6	BODY	BRASS	1	GOLD	B-N0793-G
7	PIN (MALE)	BRASS	1	GOLD	P-N0709-G



Allconnectors

www.allconnectors.de
Tel.: 0049 711 209400
70794 Hilderslohdt, Germany

Info@allconnectors.de
Fax: 0049 711 209504
Kottenerstr. 25

TITLE N PANEL FEMALE RECEPTACLE
SOLDER RG-405 (.085)

PART NO. N-22V1-TGN-1

DRAWING NO. N 22V1 TGN-1

DRAWN MARY DATE 96.07.12

CHECKED 蘇姿潔 DATE

Q.A. 馮健華 DATE

APPROVAL 徐燦霖 DATE

REVISION DATE

DIMENSIONS ARE IN MILLIMETERS

UNLESS OTHERWISE SPECIFIED
TOLERANCE

0.5-5=±0.2	120-315=±1
5-30=±0.4	315-1000=±1.6
30-120±0.6	1000-2000=±2.4

SCALE 4:1 SIZE A

REVISION

DESCRIPTION	ENGINEER

D

C

B

A

D

C

B

A

4

3

2

1