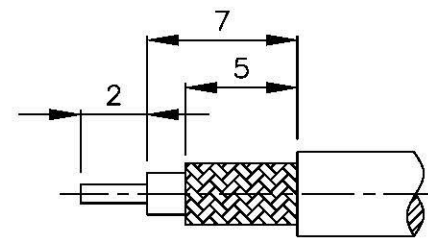
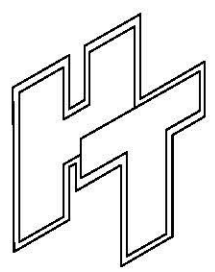
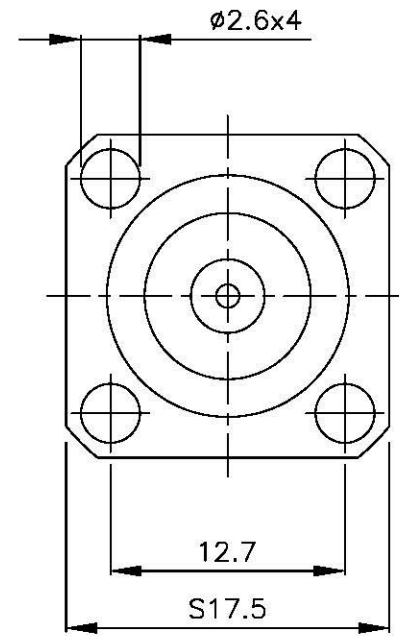
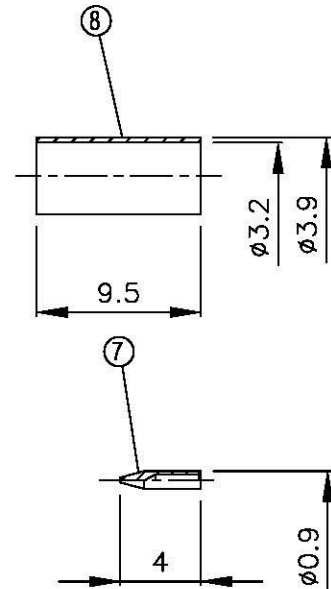
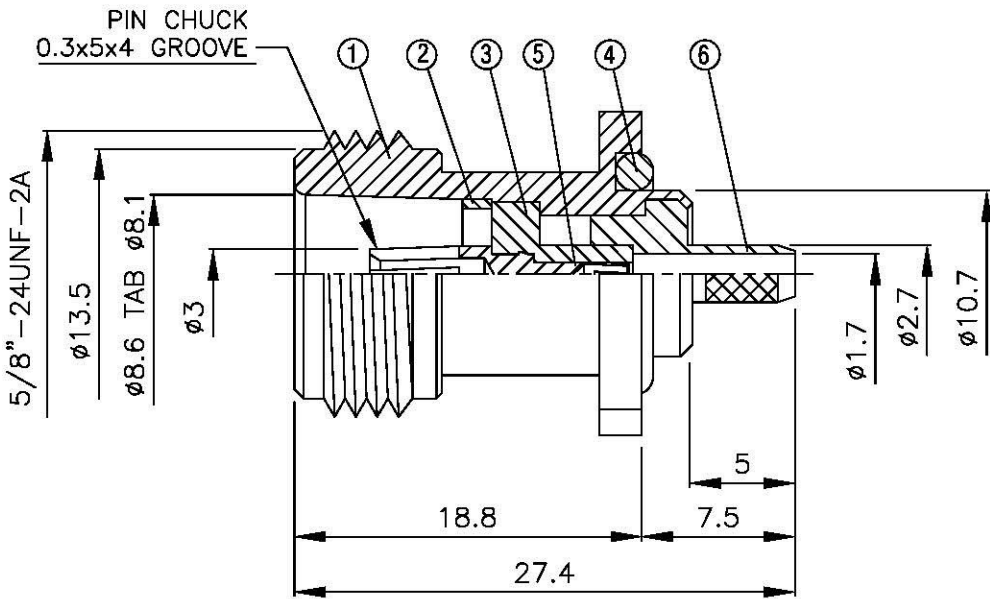
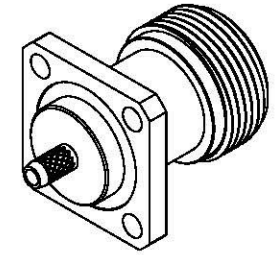


NO	DESCRIPTION	MATERIAL	Q'TY	FINISH	REMARK
1	BODY	BRASS	1	NICKEL	B-N0791-N
2	WASHER	BRASS	1	NICKEL	W-0036-N
3	INSULATION 1	TEFLON	1	TEFLON	I-0379T
4	GASKET	SI RUBBER	1	RUBBER	RU-0016
5	PIN (FEMALE)	BRASS	1	GOLD	P-N0552-G
6	BODY	BRASS	1	NICKEL	B-N0792-N
7	PIN (MALE)	BRASS	1	GOLD	P-BNC0277-G
8	RING	BRASS	1	NICKEL	R-0002-N



(Recommended Stripping Dimension)



All Connectors
 www.allconnectors.de info@allconnectors.de
 Tel: +0049 711 7005503 Fax: +0049 711 7005501
 40754 Hildersdorf Germany Kottenheuser Str.

TITLE N PANEL FEMALE RECEPTACLE
 CRIMP FOR RG-174/U

PART NO. N-22LV1-TGN

DRAWING NO. N 22LV1 TGN

DRAWN MARY DATE 96.06.06

CHECKED 蘇姿潔 DATE

Q.A. 馮健華 DATE

APPROVAL 徐燦霖 DATE

REVISION DATE

DIMENSIONS ARE IN MILLIMETERS

UNLESS OTHERWISE SPECIFIED TOLERANCE

0.5-5=±0.2	120-315=±1
5-30=±0.4	315-1000=±1.6
30-120±0.6	1000-2000=±2.4

SCALE 4:1 SIZE A

REVISION

REVISION	DESCRIPTION	ENGINEER