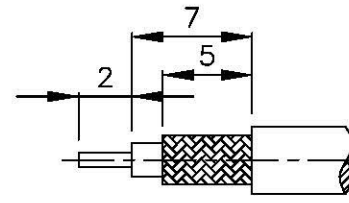
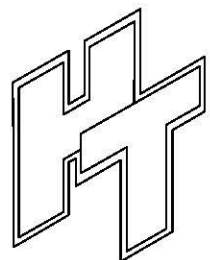
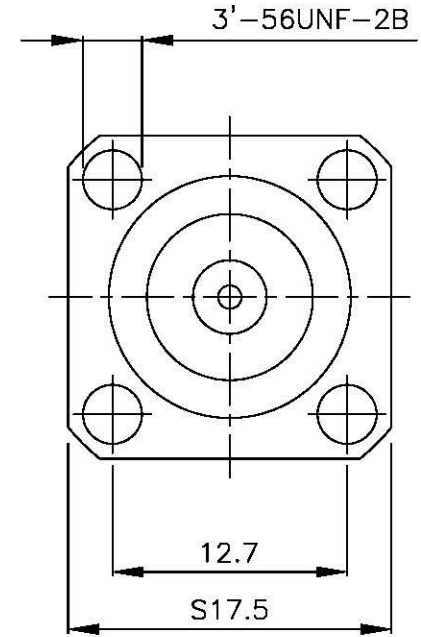
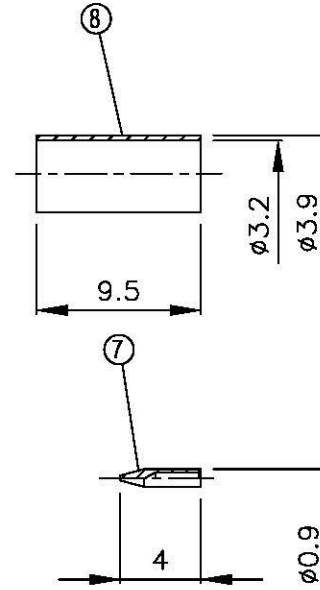
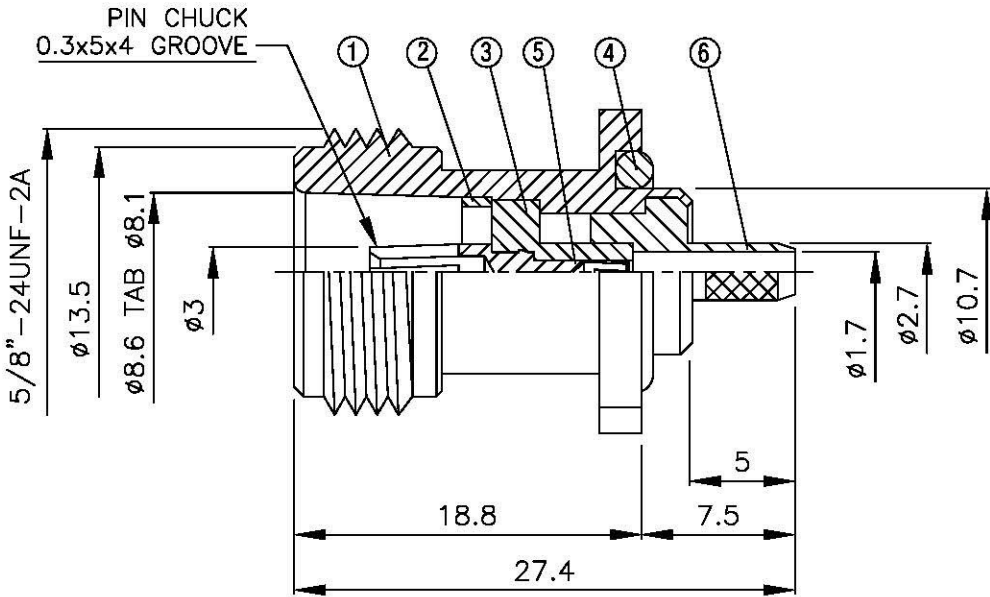
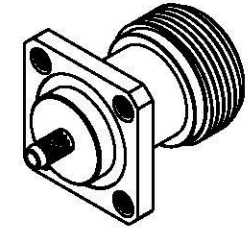


NO	DESCRIPTION	MATERIAL	Q'TY	FINISH	REMARK
1	BODY	BRASS	1	NICKEL	B-N0791-N
2	WASHER	BRASS	1	NICKEL	W-0036-N
3	INSULATION 1	TEFLON	1	TEFLON	I-0379T
4	GASKET	SI RUBBER	1	RUBBER	RU-0042
5	PIN (FEMALE)	BRASS	1	GOLD	P-N0552-G
6	BODY	BRASS	1	NICKEL	B-N0792-N
7	PIN (MALE)	BRASS	1	GOLD	P-BNC0709-G
8	RING	BRASS	1	NICKEL	R-0002-N



(Recommended Stripping Dimension)



Allconnectors

www.allconnectors.de
Tel.: 0049 711 7002820
Allconnectors GmbH
info@allconnectors.de
Fax: 0049 711 7002801
Kottbusstraße 23

TITLE N PANEL FEMALE RECEPTACLE
CRIMP FOR RG-174/U

PART NO. N-22LV1-TGN-1

DRAWING NO. N 22LV1 TGN-1

DRAWN	MARY	DATE	96.06.06
CHECKED	蘇姿潔	DATE	
Q.A.	馮健華	DATE	
APPROVAL	徐燦霖	DATE	
REVISION		DATE	

DIMENSIONS ARE IN MILLIMETERS			
UNLESS OTHERWISE SPECIFIED TOLERANCE			
0.5-5=±0.2	120-315=±1		
5-30=±0.4	315-1000=±1.6		
30-120±0.6	1000-2000=±2.4		
SCALE	4:1	SIZE	A

REVISION	
DESCRIPTION	ENGINEER